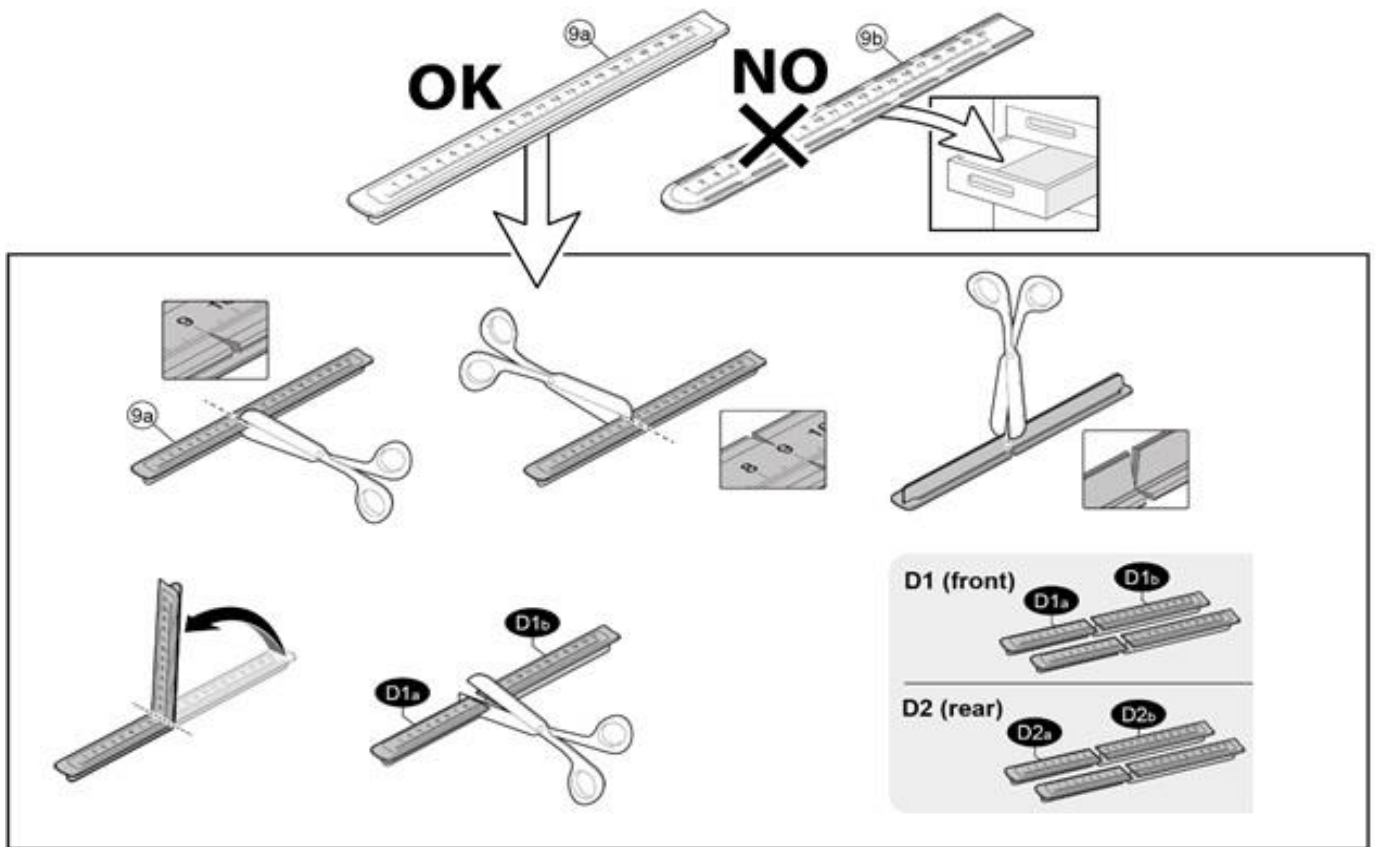


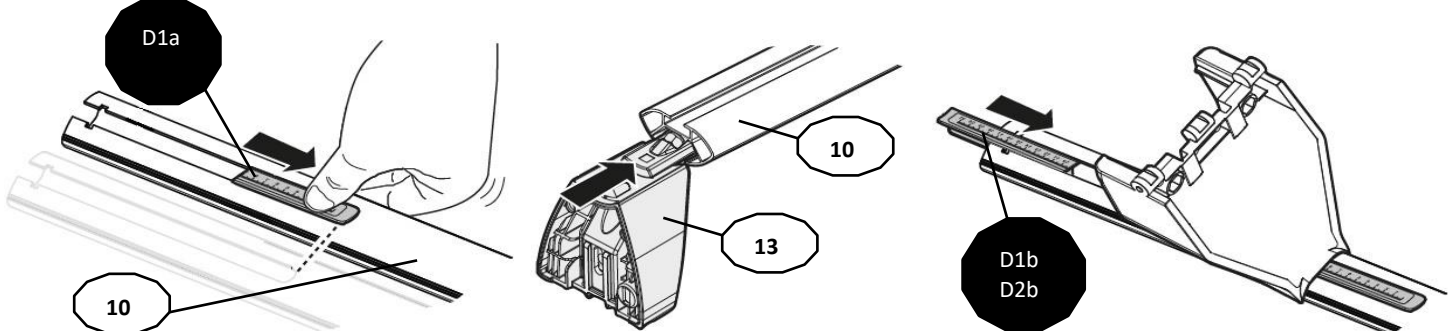
FIXING KIT DELTA

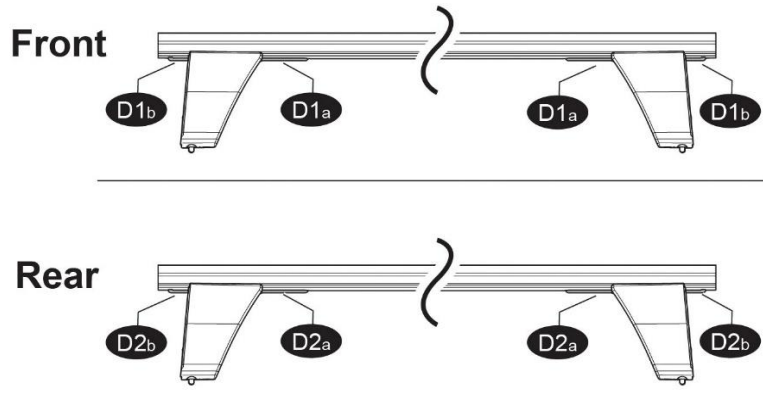
1



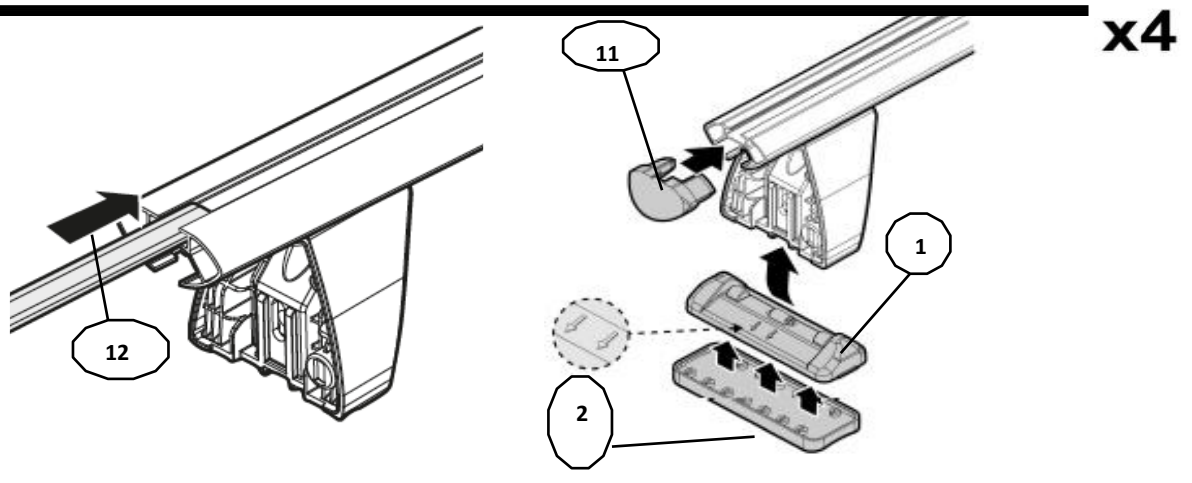
MANUFACTURER	MODEL CAR	DOORS	MODEL YEAR	D1	D2
DACIA	Sandero	5	21>	6,7	6,2

2

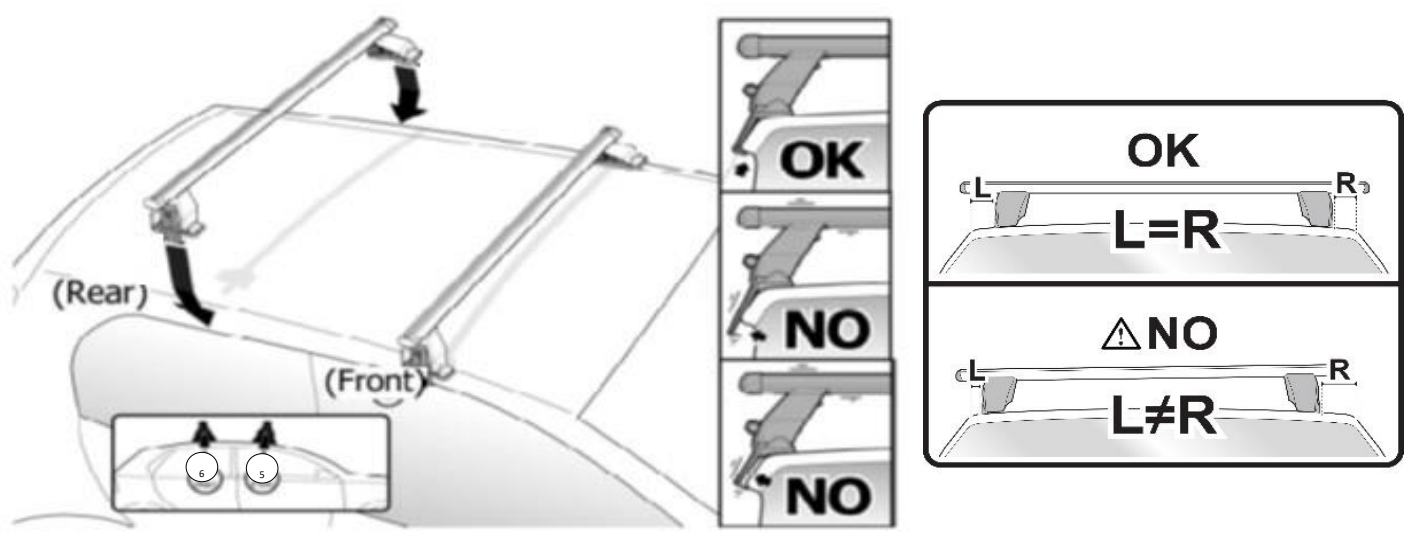
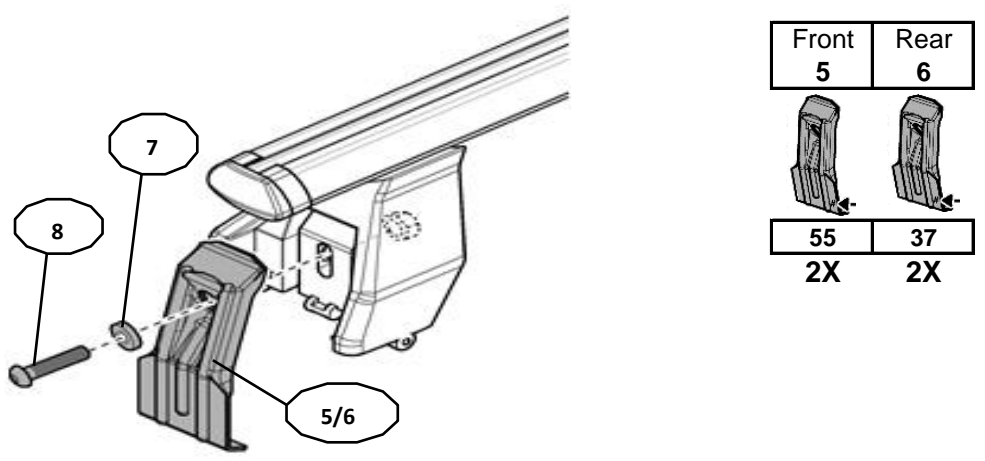


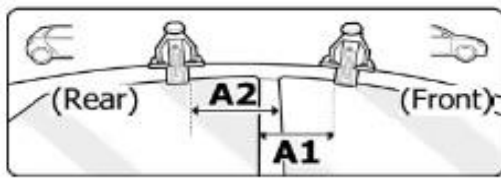


3

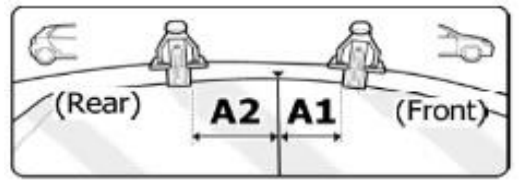


4



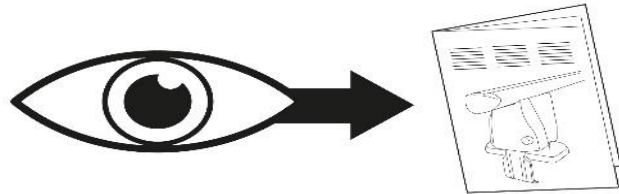


OR



MANUFACTURER	MODEL CAR	DOORS	MODEL YEAR	A1	A2	A1	A2
				cm	cm	in	in
DACIA	Sandero	5	21>	X	X	X	X

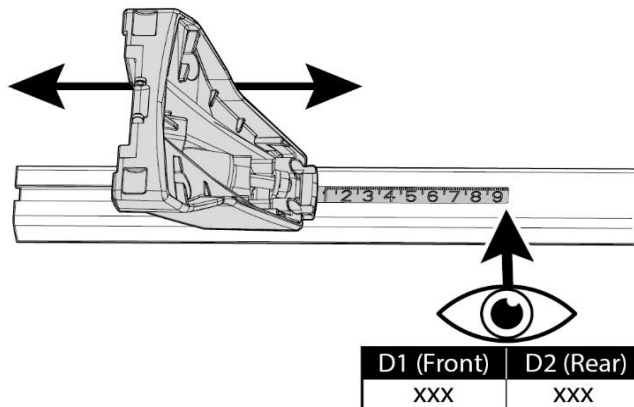
5



MANUAL DELTA

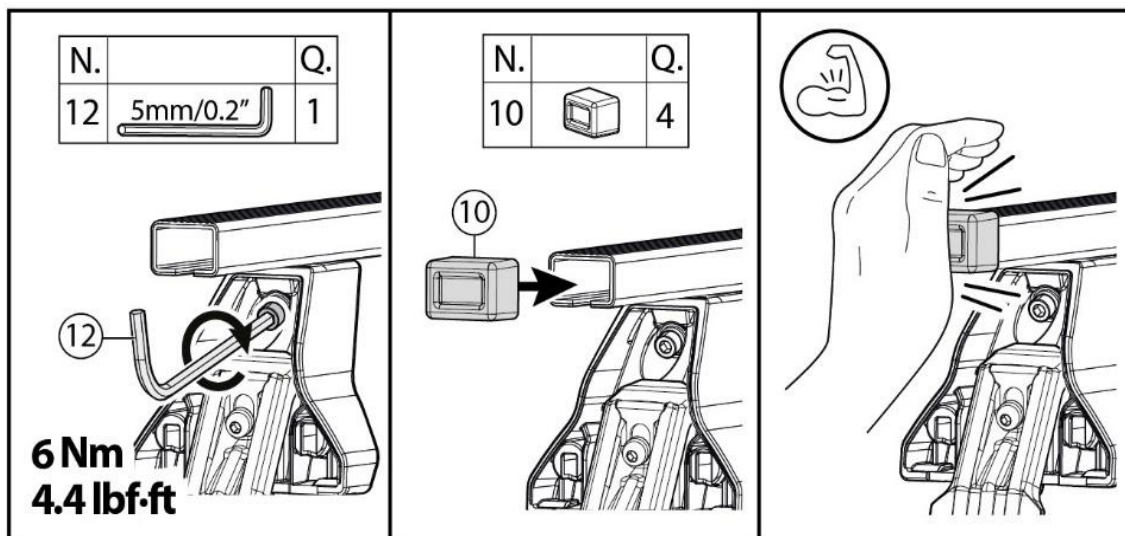
FIXING KIT OMEGA

2

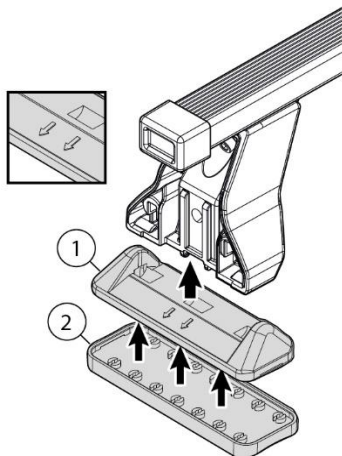


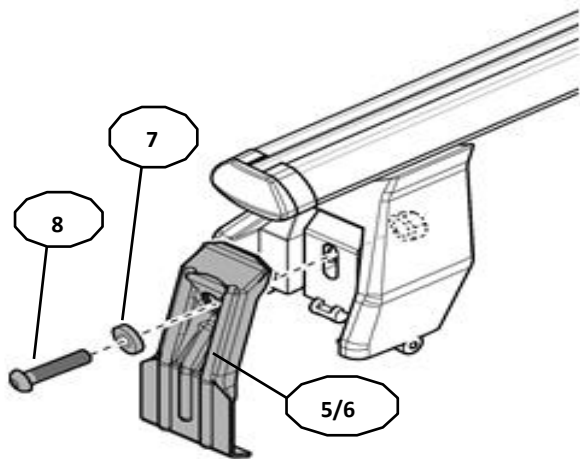
MANUFACTURER	MODEL CAR	DOORS	MODEL YEAR	D1	D2
DACIA	Sandero	5	21>	6,7	6,2

3

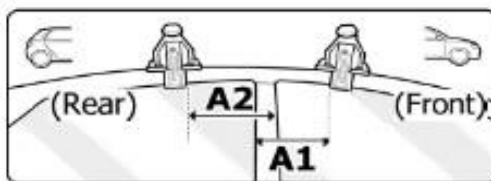
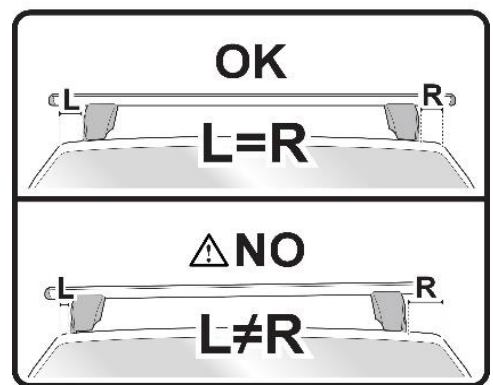
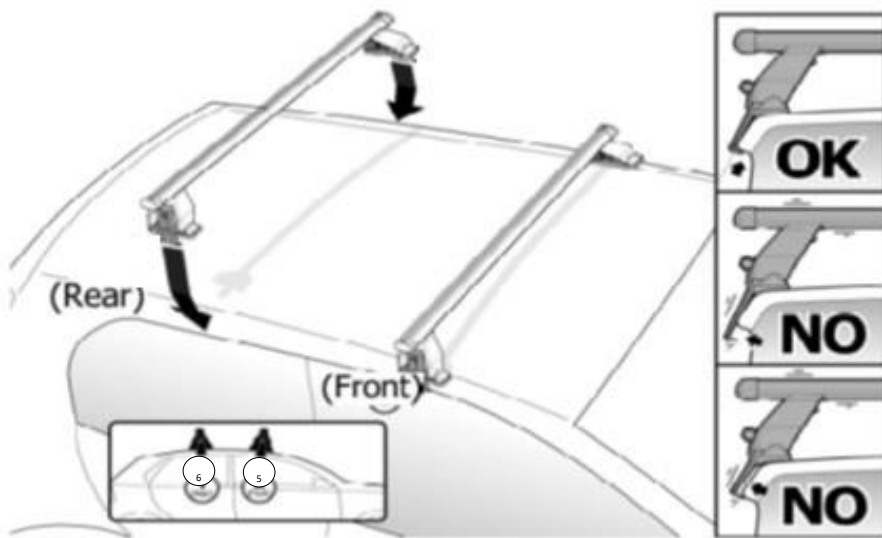


4

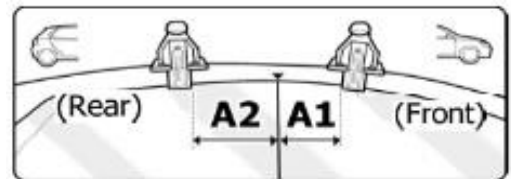




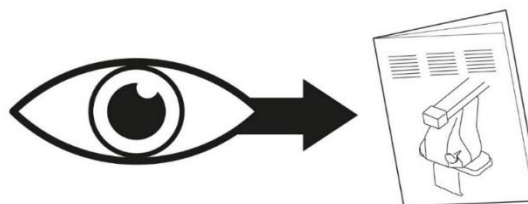
Front	Rear
5	6
55	37
2X	2X



OR



MANUFACTURER	MODEL CAR	DOORS	MODEL YEAR	A1	A2	A1	A2
				cm	cm	in	in
DACIA	Sandero	5	21>	X	X	X	X



MANUAL OMEGA

NOTE:
