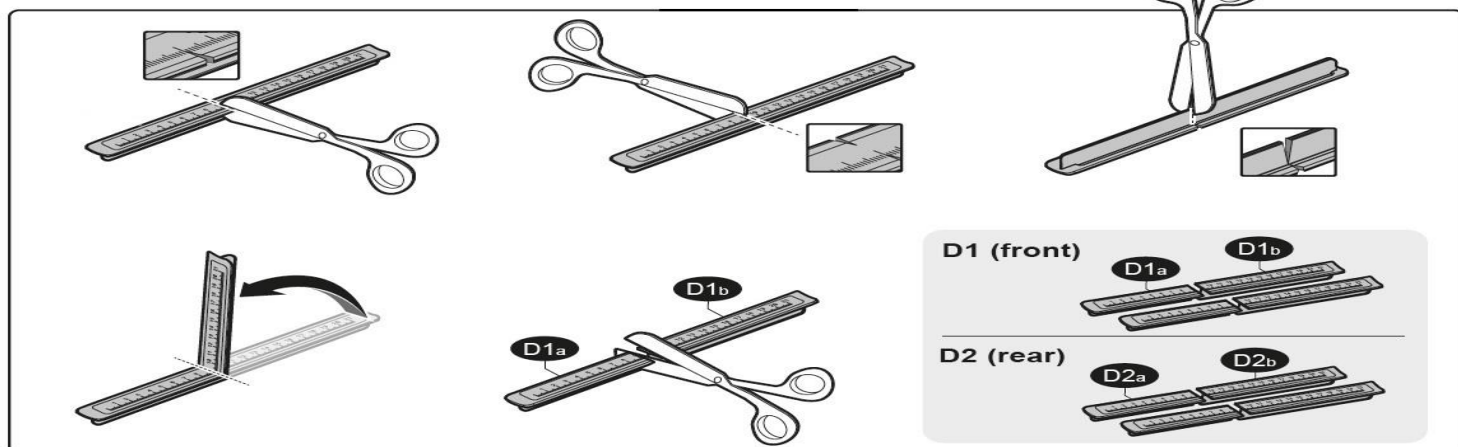


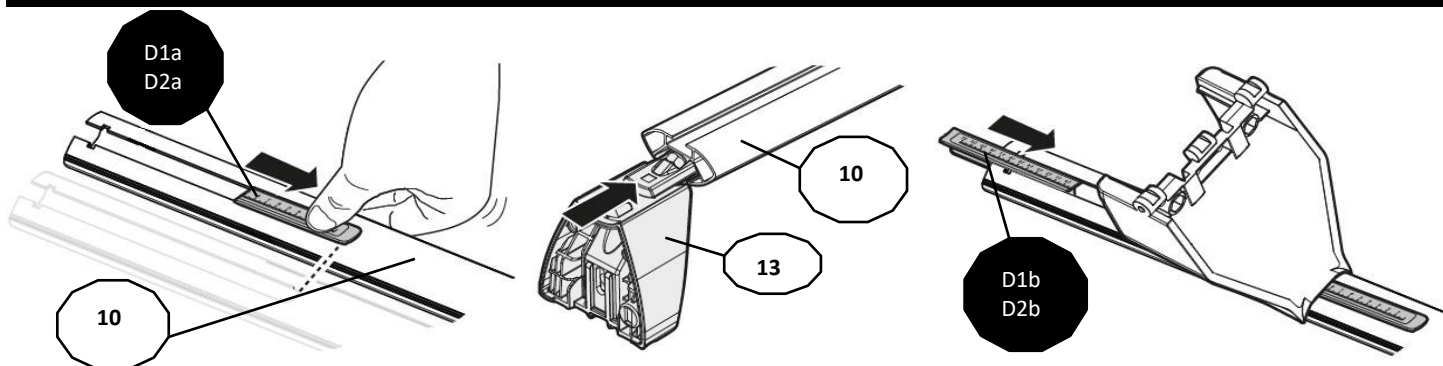
## FIXING KIT DELTA

**1**



MANUFACTURER	MODEL CAR	DOORS	MODEL YEAR	D1	D2
VOLKSWAGEN	Polo VI (AW)	5	17>21	13,3	10,7
VOLKSWAGEN	Polo VI (AE1)	5	21>	13,3	10,7

**2**

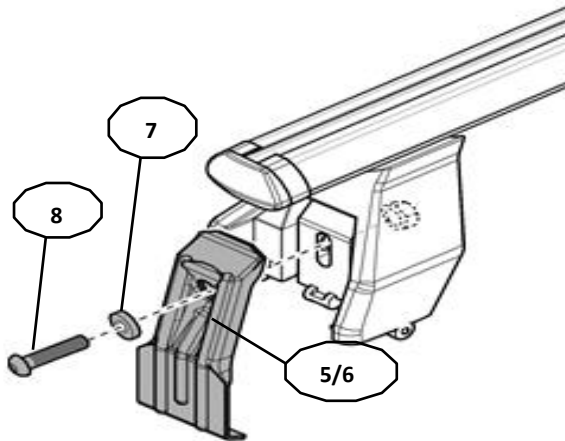
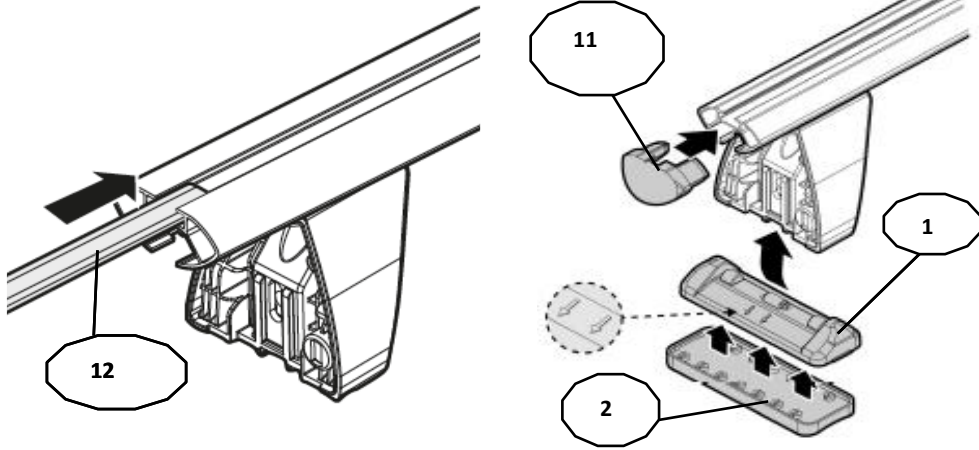


**Front**

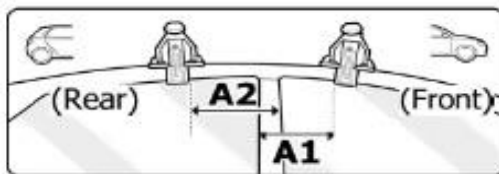
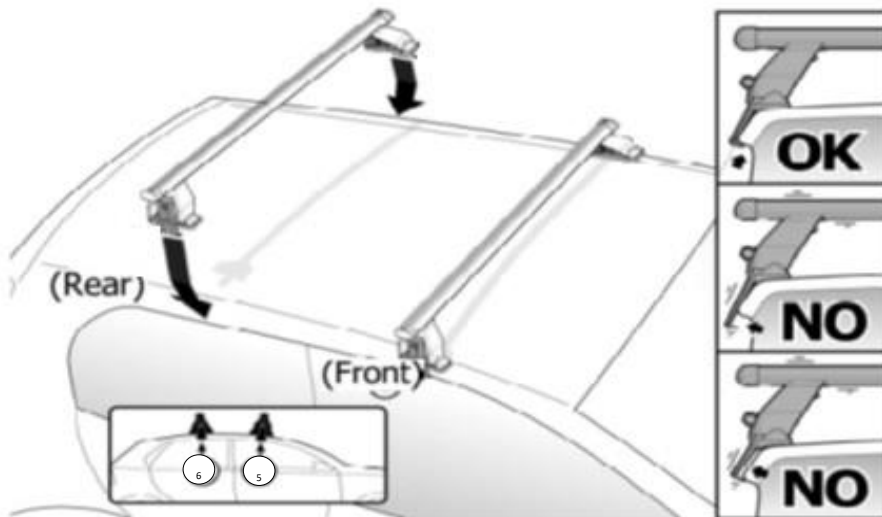
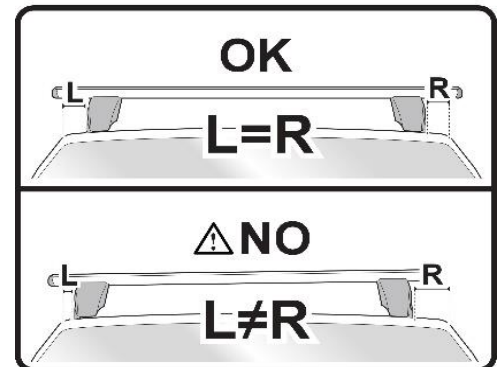


**Rear**

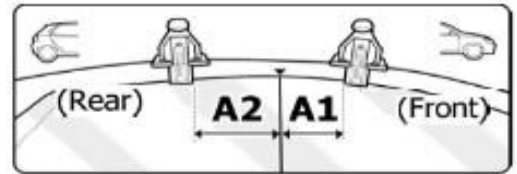




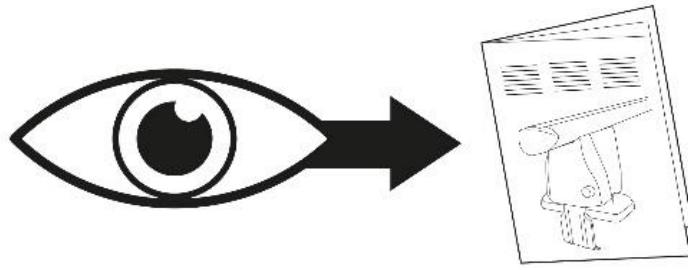
Front	Rear
5	6
13R	13R
2X	2X



OR



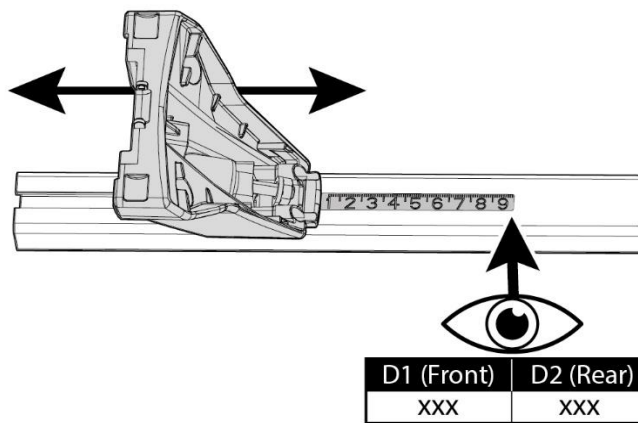
MANUFACTURER	MODEL CAR	DOORS	MODEL YEAR	A1	A2	A1	A2
				cm	cm	in	in
VOLKSWAGEN	Polo VI (AW)	5	17>21	22	42	8,7	16,5
VOLKSWAGEN	Polo VI (AE1)	6	21>	22	42	8,7	16,5



## **MANUAL DELTA**

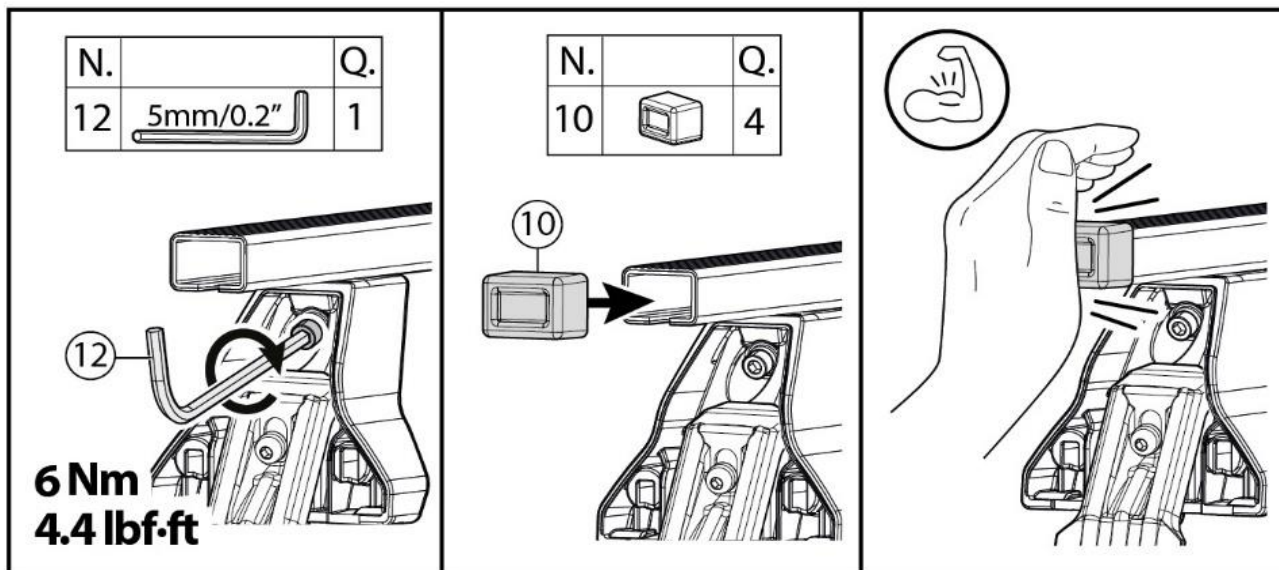
# FIXING KIT OMEGA

2

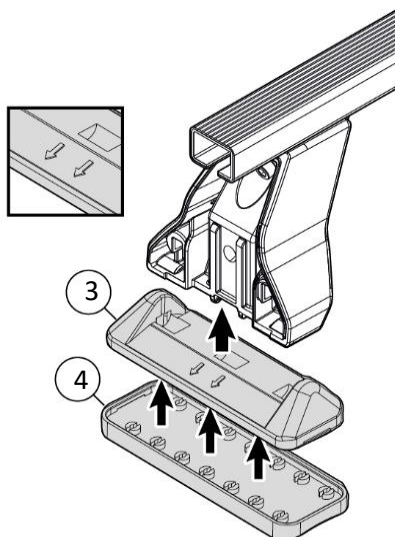


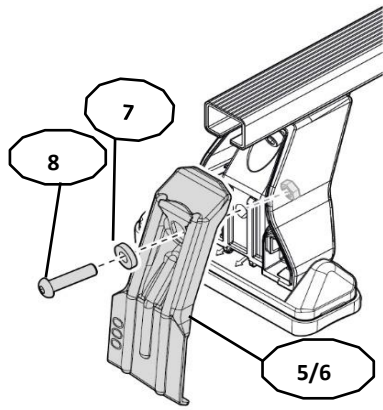
MANUFACTURER	MODEL CAR	DOORS	MODEL YEAR	D1	D2
VOLKSWAGEN	Polo VI (AW)	5	17>21	13,3	10,7
VOLKSWAGEN	Polo VI (AE1)	5	21>	13,3	10,7

3

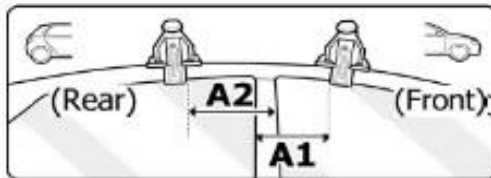
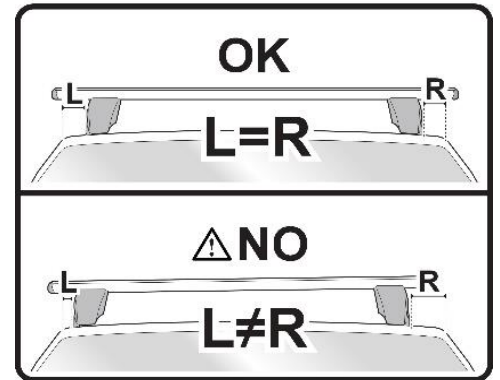
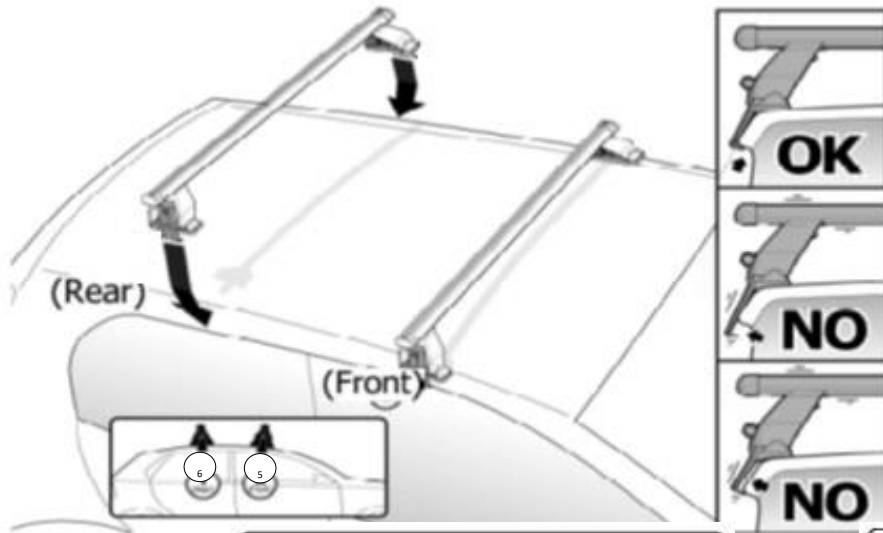


4

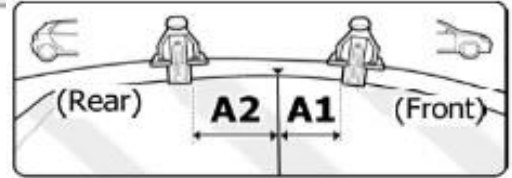




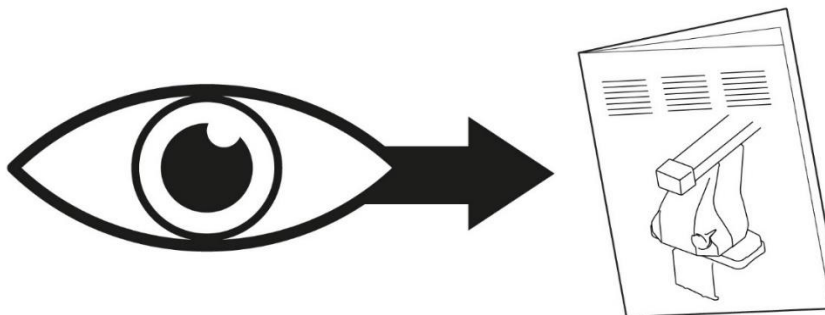
Front	Rear
5	6
13R	13R
2X	2X



OR



MANUFACTURER	MODEL CAR	DOORS	MODEL YEAR	A1	A2	A1	A2
				cm	cm	in	in
VOLKSWAGEN	Polo VI (AW)	5	17>21	22	42	8,7	16,5
VOLKSWAGEN	Polo VI (AE1)	6	21>	22	42	8,7	16,5



# MANUAL OMEGA

NOTE:

---

---

---

---