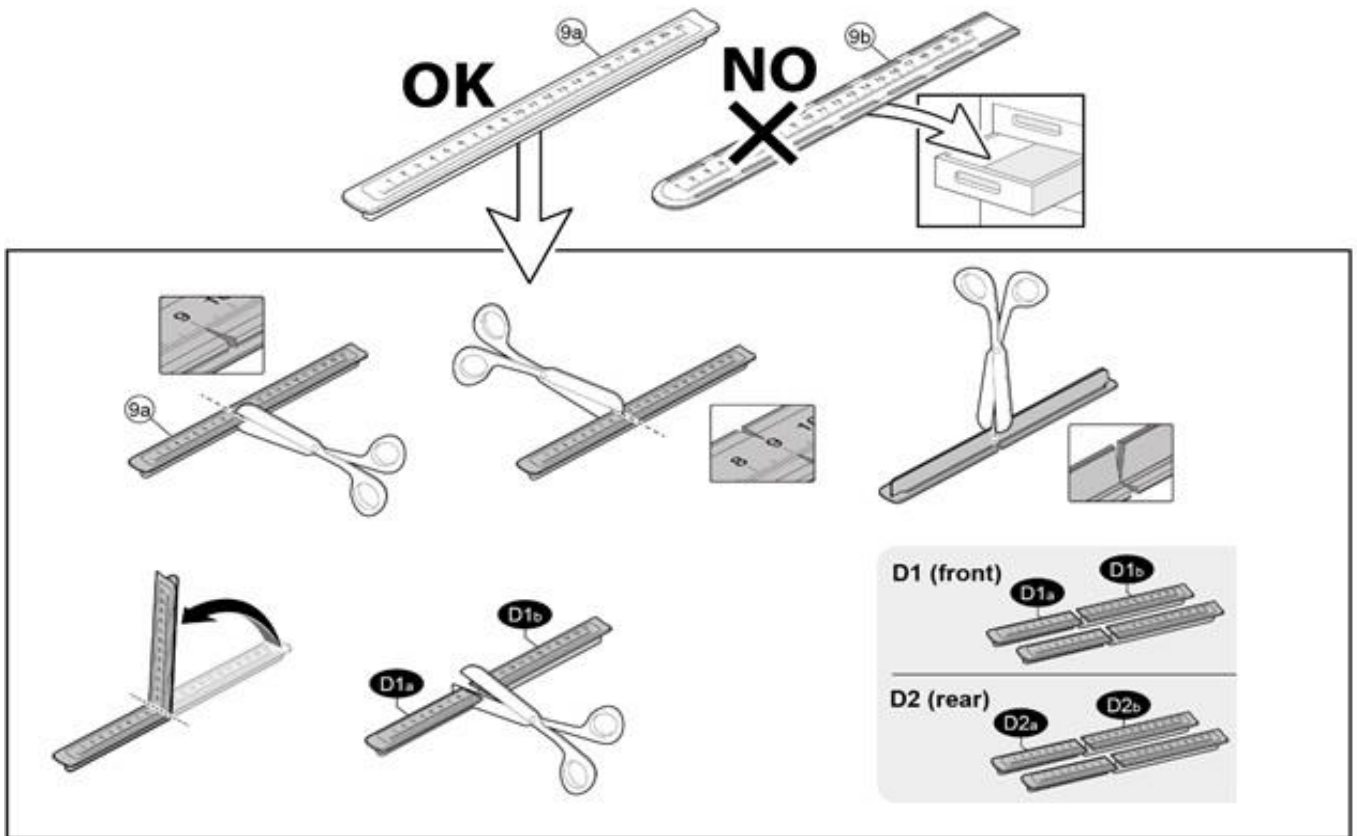


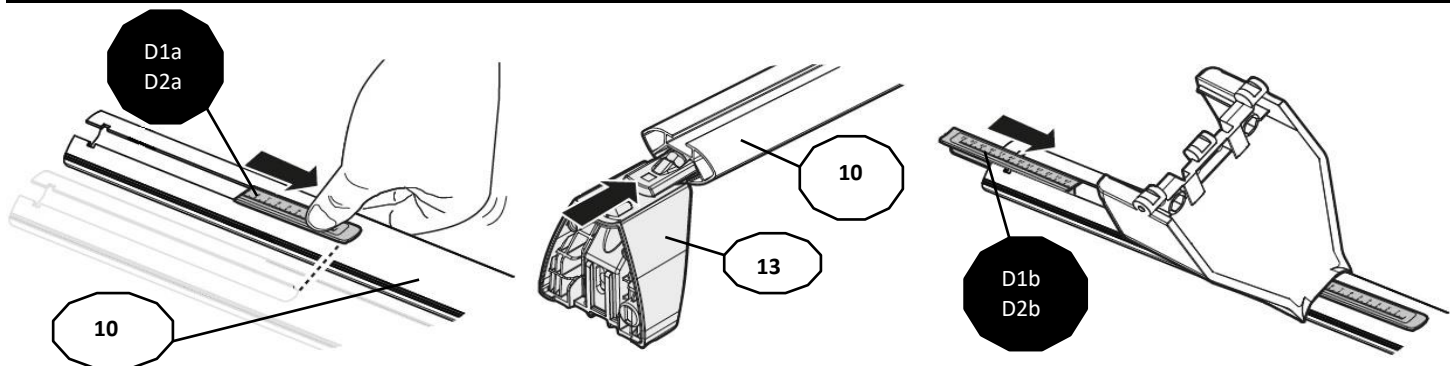
FIXING KIT DELTA

1

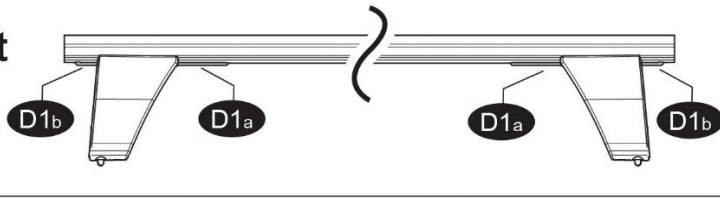


MANUFACTURER	MODEL CAR	DOORS	MODEL YEAR	D1	D2
INFINITI	Q50 (V37)	4	13>	3,1	1,9
VOLKSWAGEN	Passat (B8) Alltrack	5	14>18	6,2	4,7

2



Front

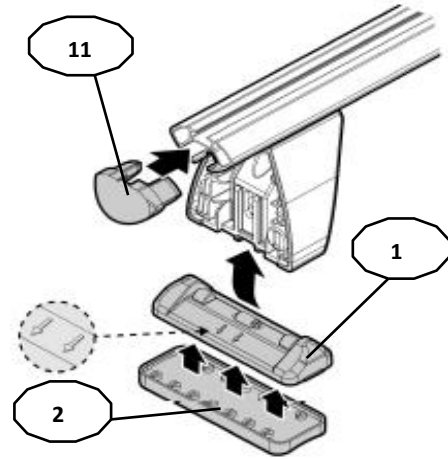
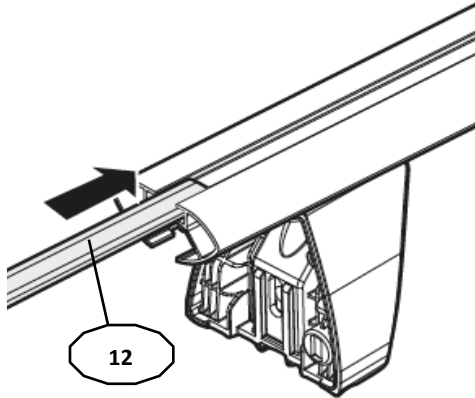


Rear

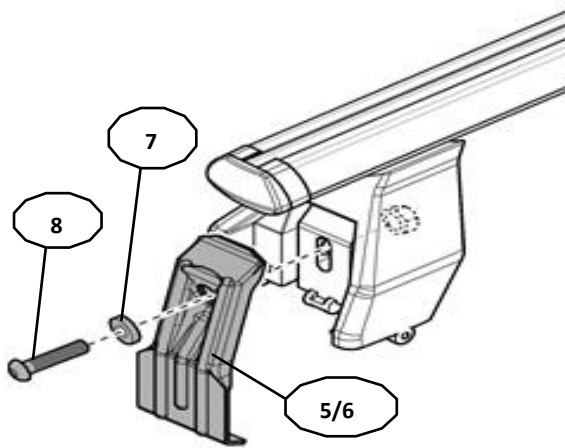


3

x4



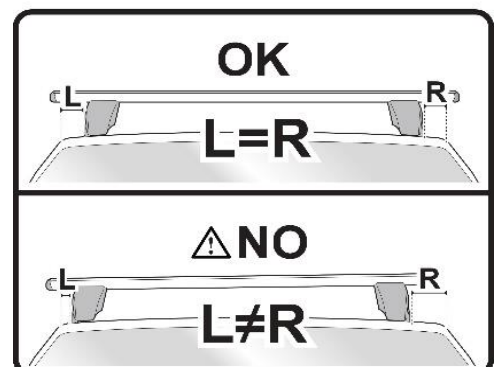
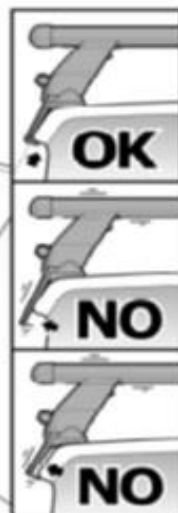
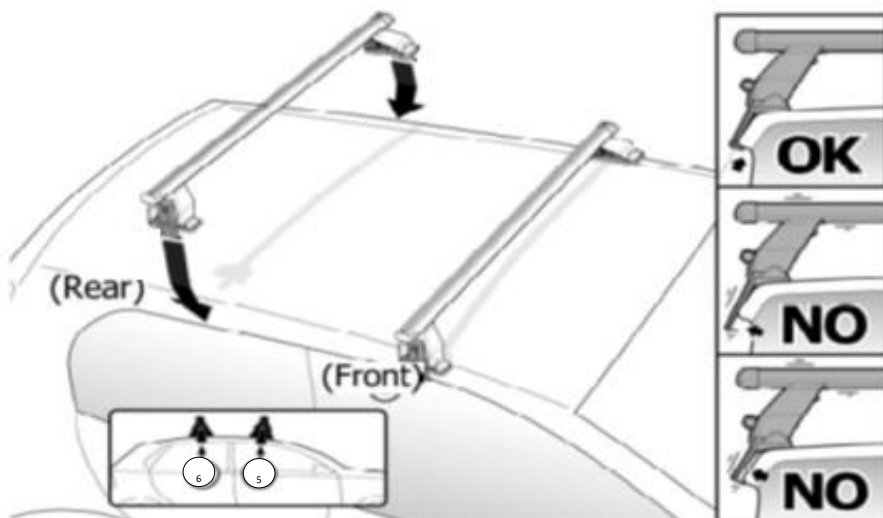
4

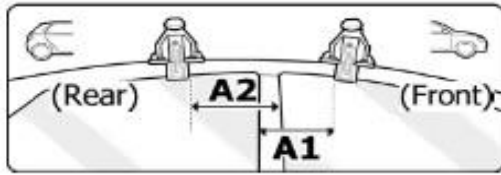


Front	Rear
5	6

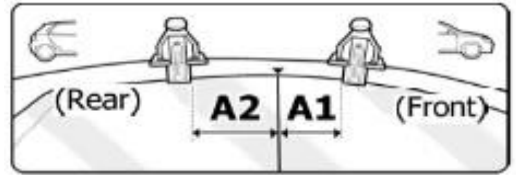


16	1
2X	2X





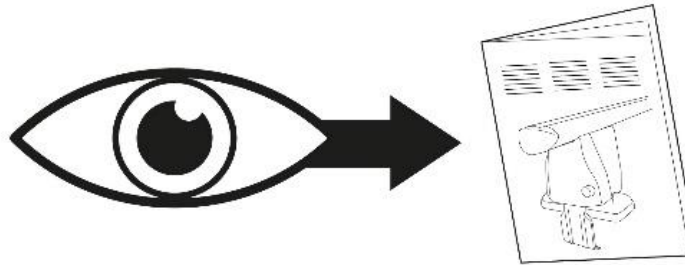
OR



MANUFACTURER	MODEL CAR	DOORS	MODEL YEAR	A1	A2	A1	A2
				cm	cm	in	in
INFINITI	Q50 (V37)	4	13>	23	39	9,1	15,4
VOLKSWAGEN	Passat (B8) Alltrack	5	14>18	12	52	4,7	20,5

X = predisposizione originale /original arrangement

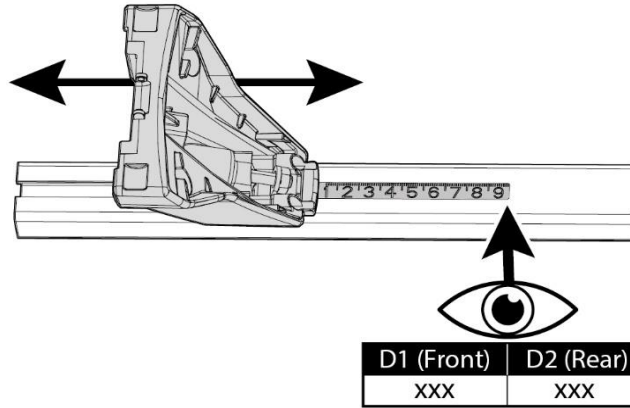
5



MANUAL DELTA

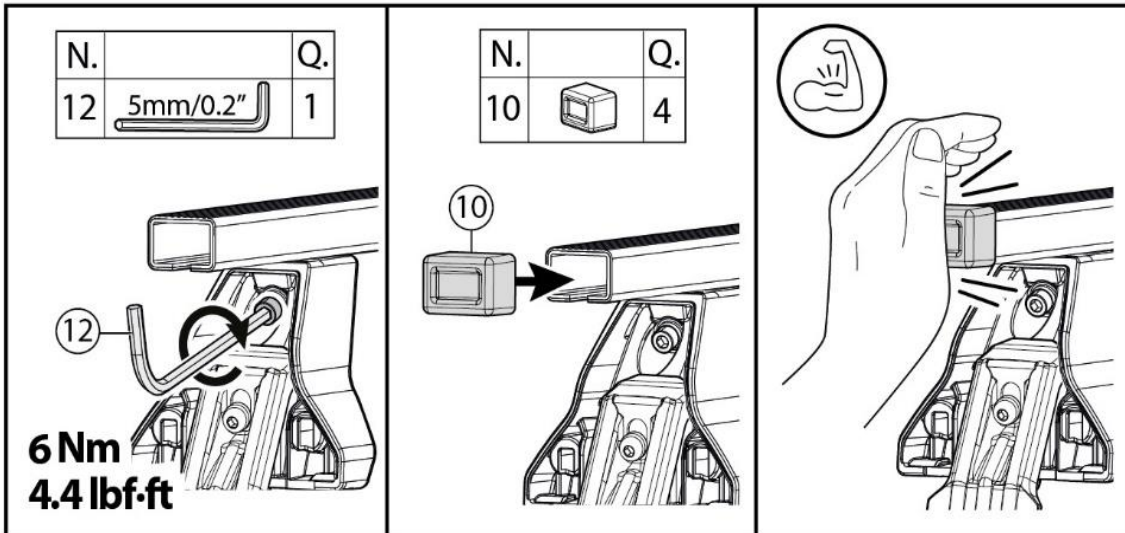
FIXING KIT OMEGA

2

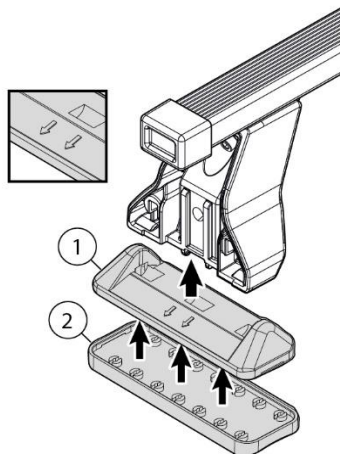


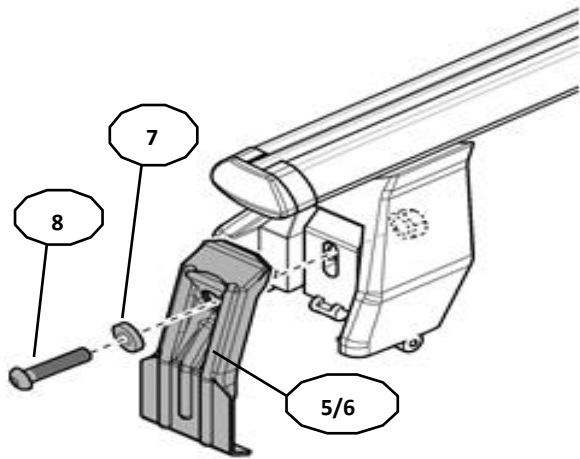
MANUFACTURER	MODEL CAR	DOORS	MODEL YEAR	D1	D2
INFINITI	Q50 (V37)	4	13>	3,1	1,9
VOLKSWAGEN	Passat (B8) Alltrack	5	14>18	6,2	4,7

3

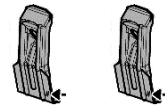


4

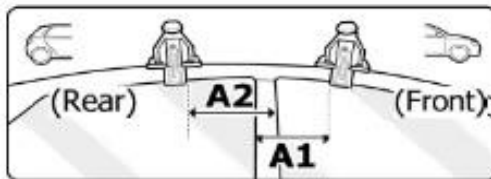
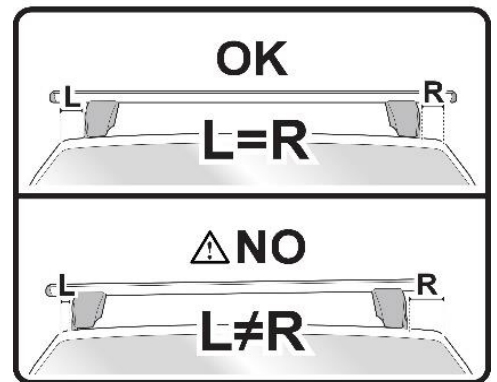
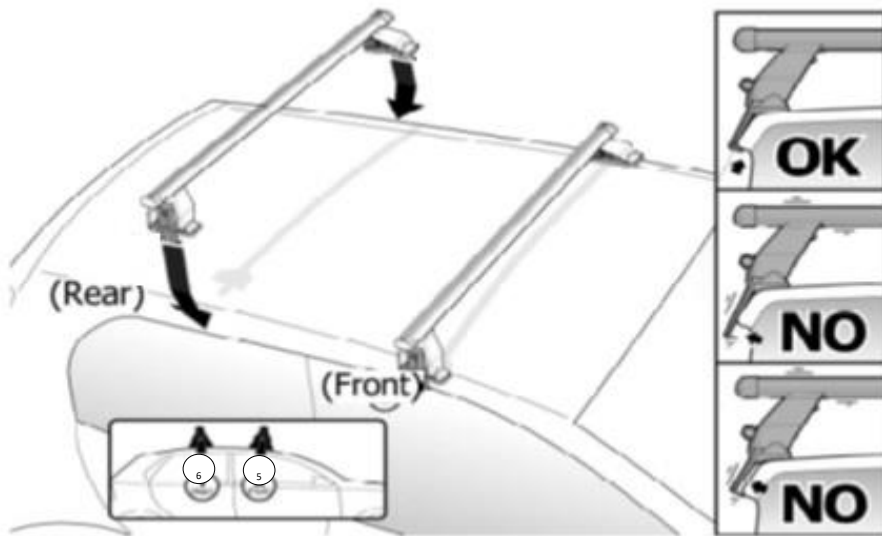




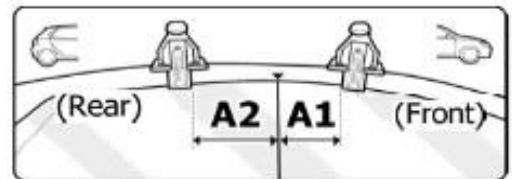
Front	Rear
5	6



16	1
2X	2X

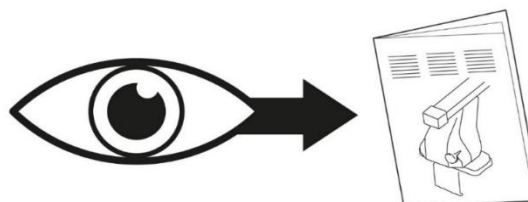


OR



MANUFACTURER	MODEL CAR	DOORS	MODEL YEAR	A1	A2	A1	A2
				cm	cm	in	in
INFINITI	Q50 (V37)	4	13>	23	39	9,1	15,4
VOLKSWAGEN	Passat (B8) Alltrack	5	14>18	12	52	4,7	20,5

X = predisposizione originale /original arrangement



MANUAL OMEGA

NOTE:
