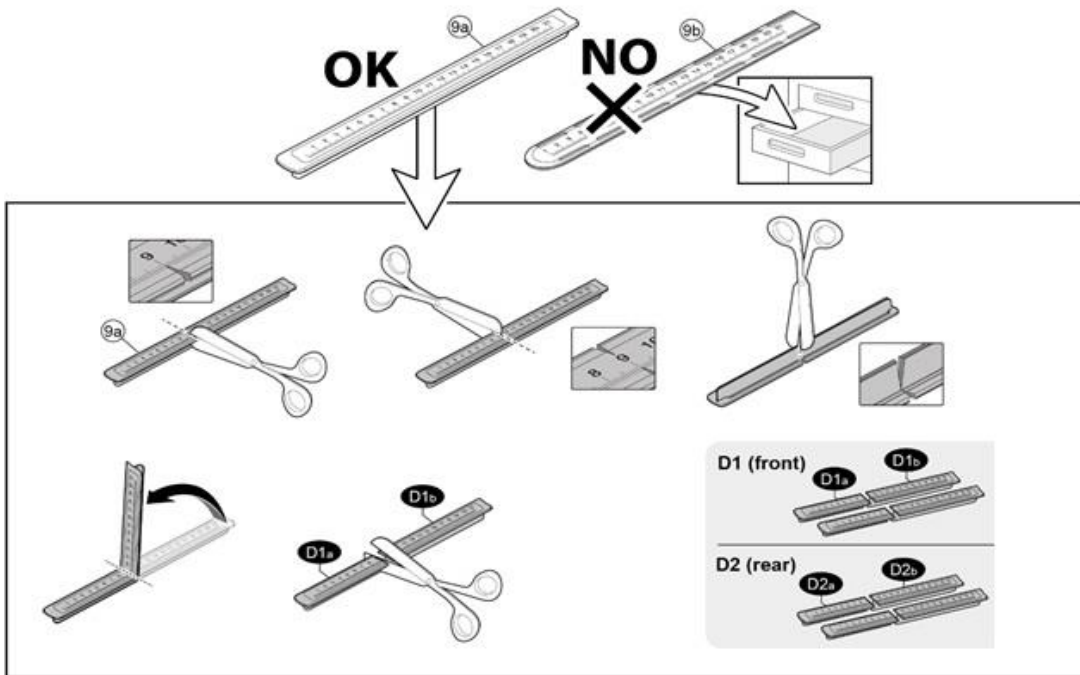


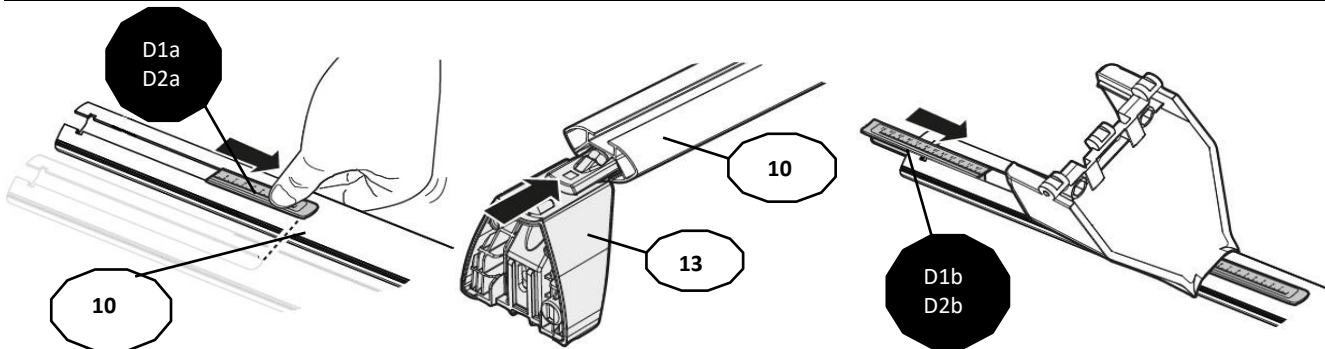
FIXING KIT DELTA

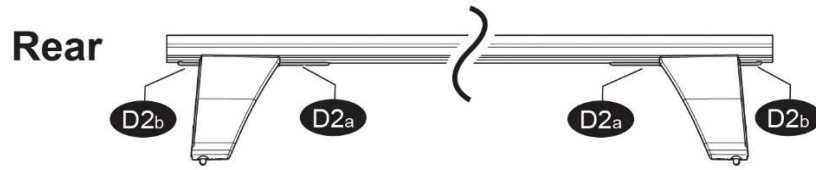
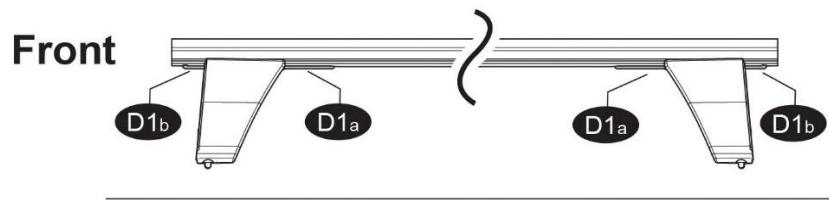
1



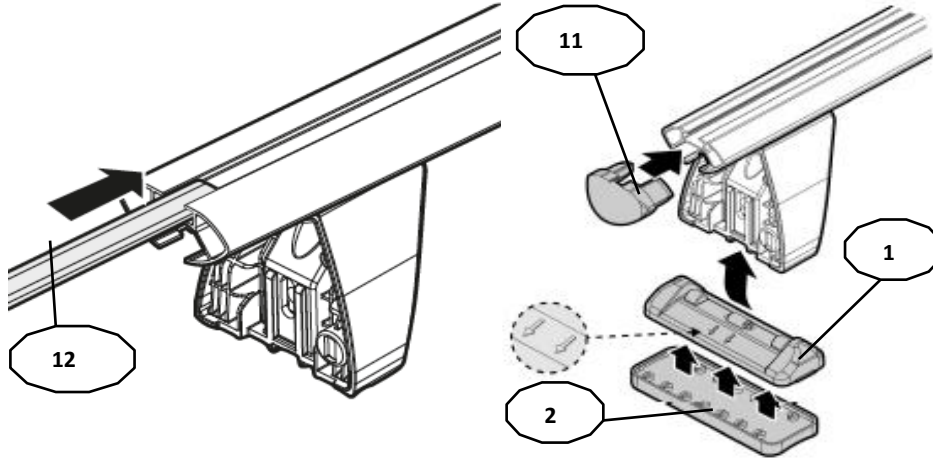
MANUFACTURER	MODEL CAR	DOORS	MODEL YEAR	D1	D2
INFINITI	Q70 (Y51)	4	13>	7,2	5,5
MITSUBISHI	Mirage G4 (A10) Sedan	4	13>	4,7	1,5

2

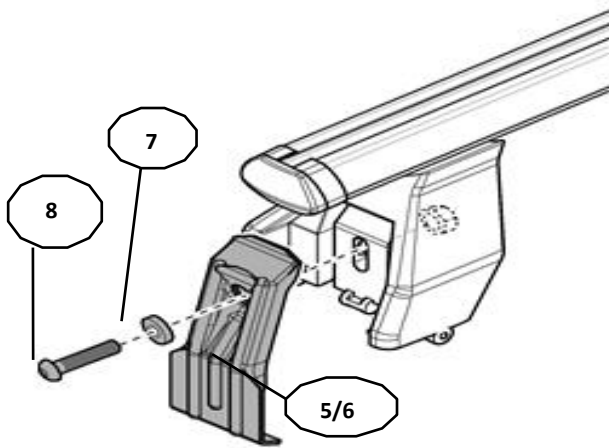




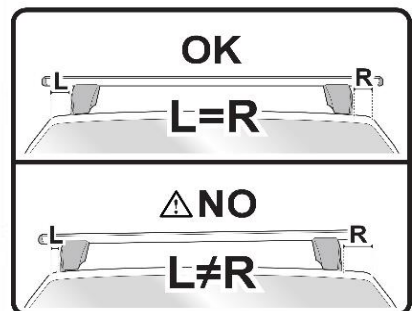
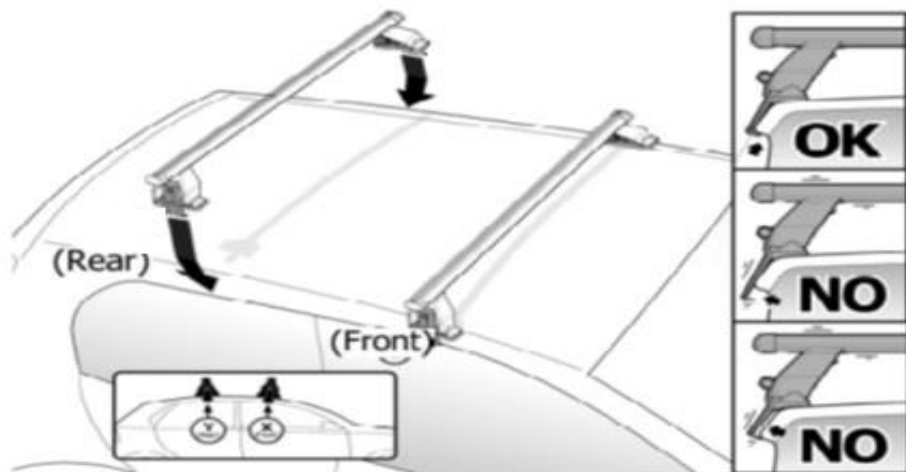
3 **x4**

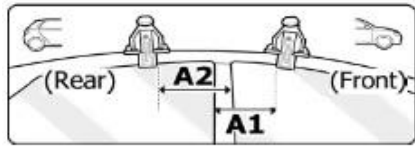


4

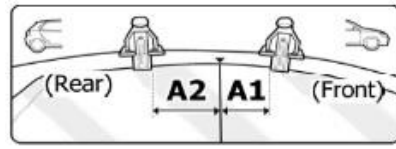


Front	Rear
5	6
15	21R
2X	2X





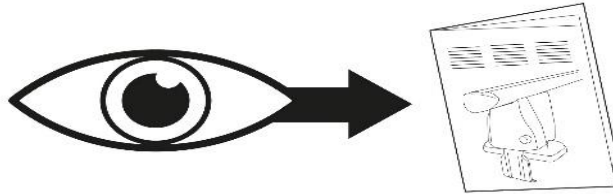
OR



MANUFACTURER	MODEL CAR	DOORS	MODEL YEAR	A1	A2	A1	A2
				cm	cm	in	in
INFINITI	Q70 (Y51)	4	13>	23	43	9,1	16,9
MITSUBISHI	Mirage G4 (A10) Sedan	4	13>	32	34	12,6	13,4

X = predisposizione originale /original arrangement

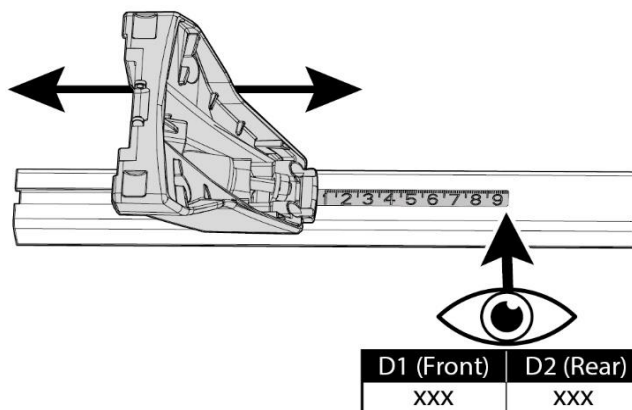
5



MANUAL DELTA

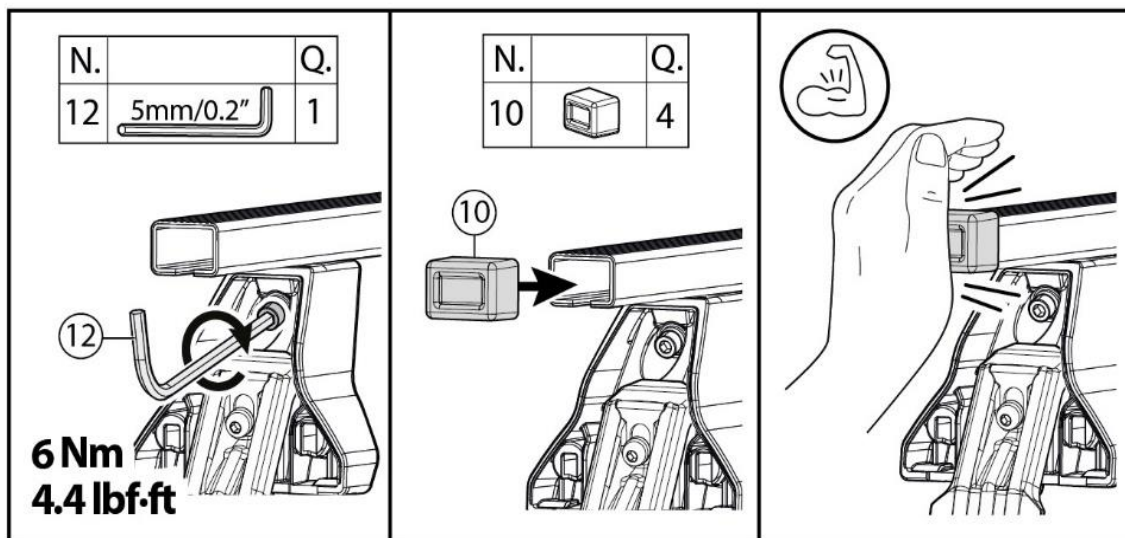
FIXING KIT OMEGA

2

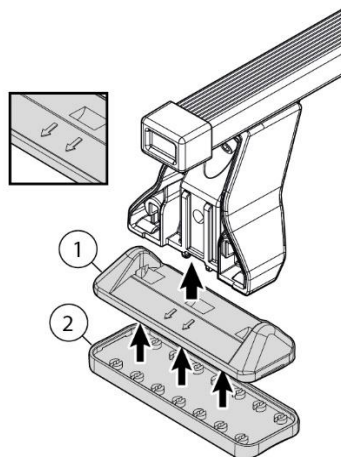


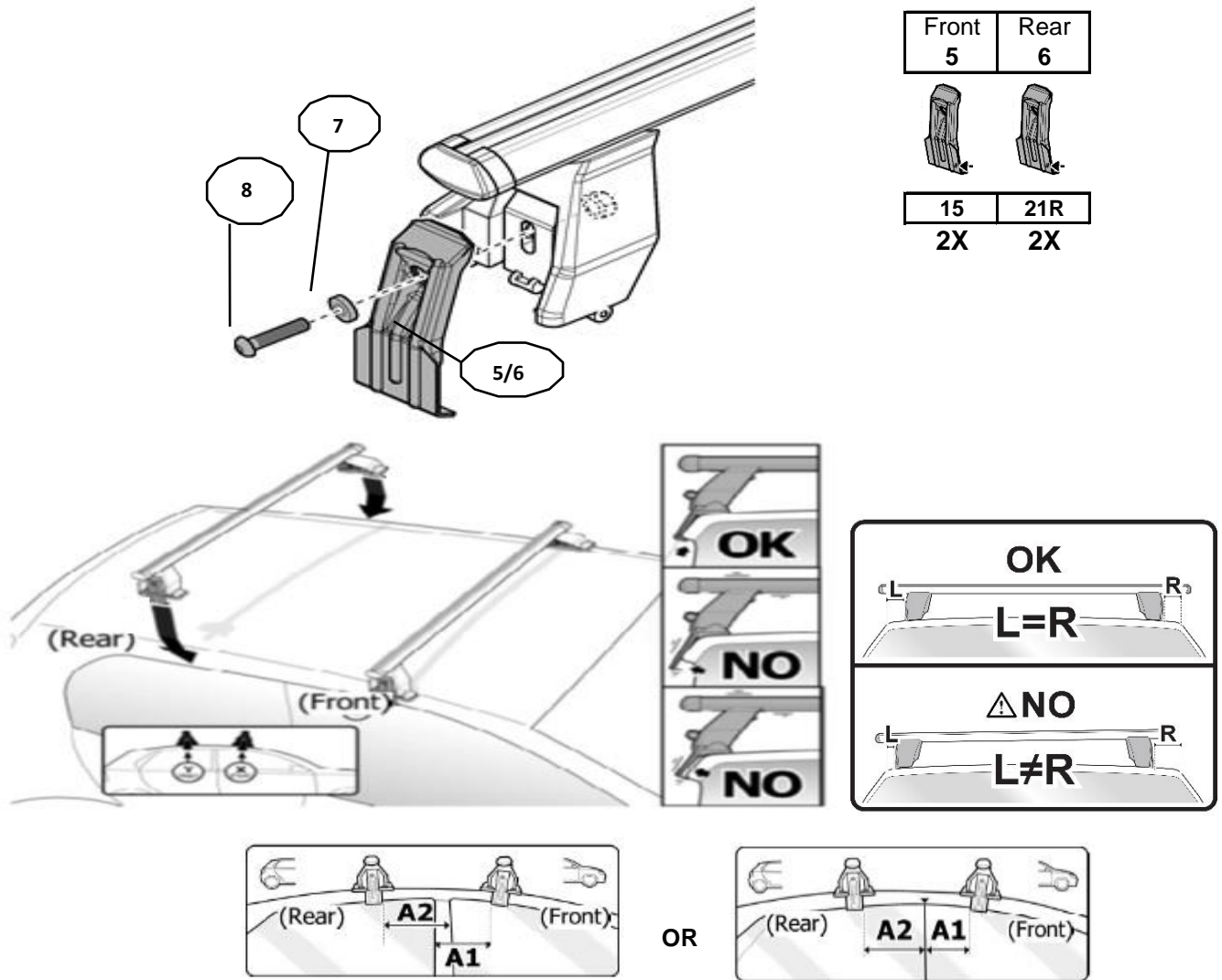
MANUFACTURER	MODEL CAR	DOORS	MODEL YEAR	D1	D2
INFINITI	Q70 (Y51)	4	13>	7,2	5,5
MITSUBISHI	Mirage G4 (A10) Sedan	4	13>	4,7	1,5

3



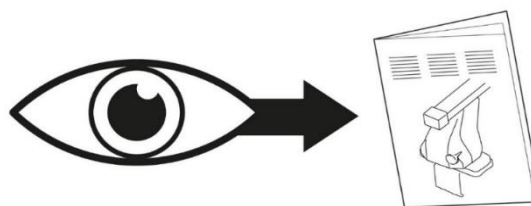
4





MANUFACTURER	MODEL CAR	DOORS	MODEL YEAR	A1	A2	A1	A2
				cm	cm	in	in
INFINITI	Q70 (Y51)	4	13>	23	43	9,1	16,9
MITSUBISHI	Mirage G4 (A10) Sedan	4	13>	32	34	12,6	13,4

X = predisposizione originale /original arrangement



MANUAL OMEGA

NOTE:
