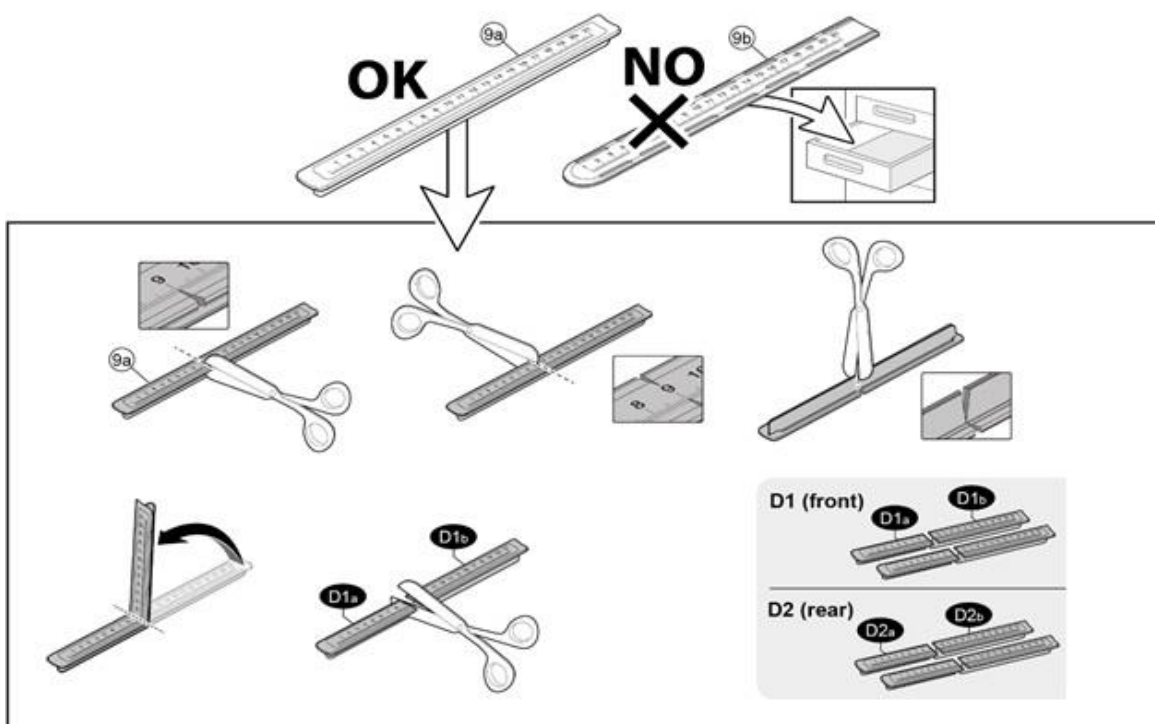


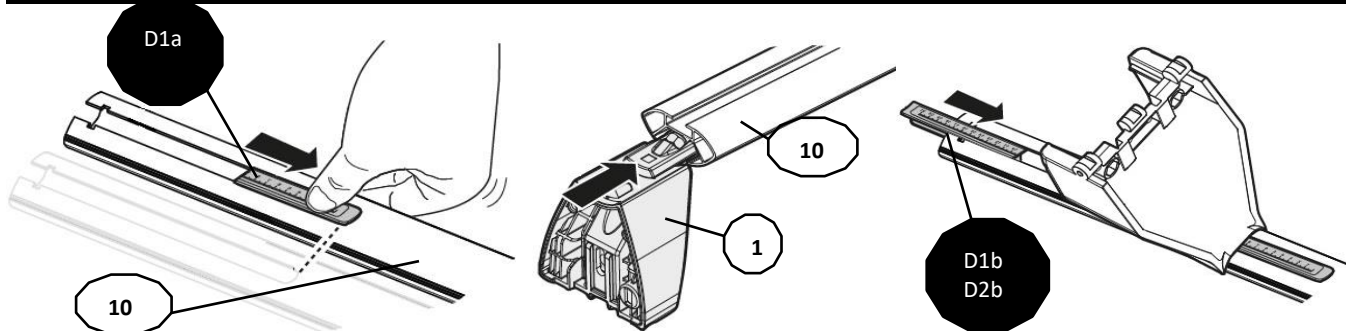
FIXING KIT DELTA

1

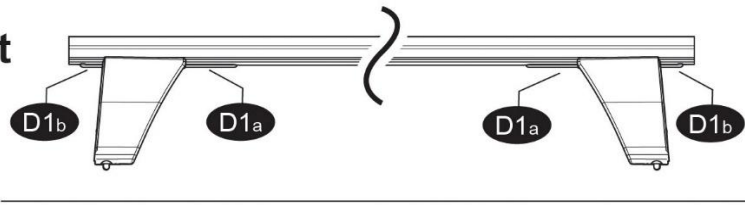


MANUFACTURER	MODEL CAR	DOORS	MODEL YEAR	D1	D2
SEAT	Ateca	5	16>	9,0	7,5
SUBARU	WRX STI	4	17>	7,2	7,2

2



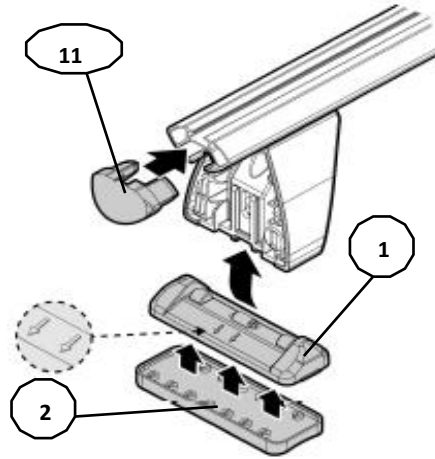
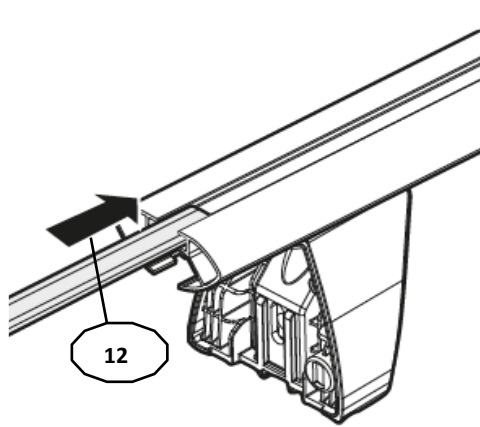
Front



Rear

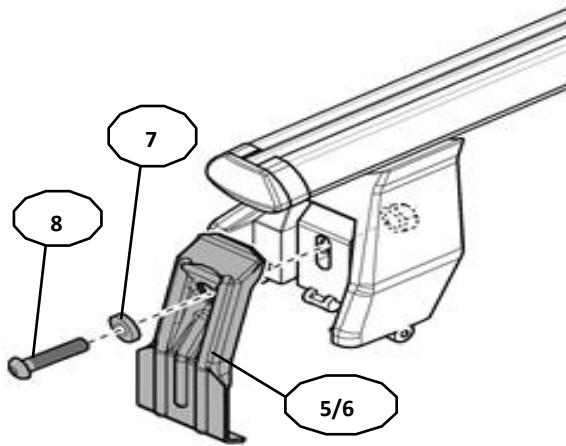


3



x4

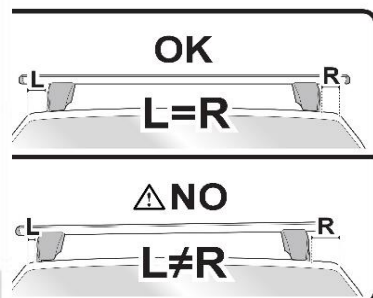
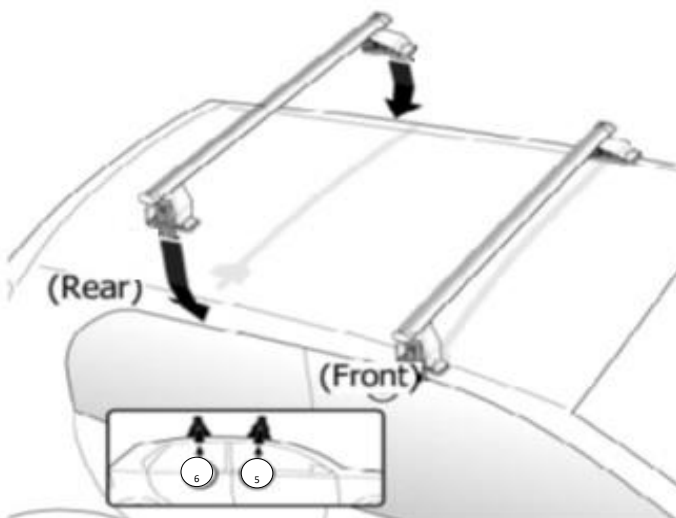
4

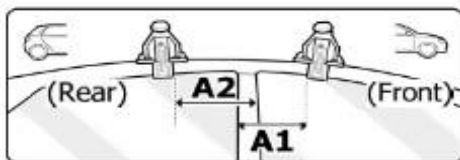


Front	Rear
5	6

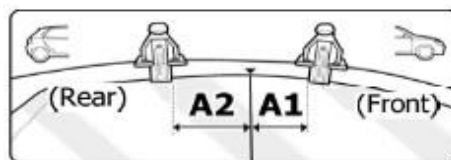


50R	3R
2X	2X





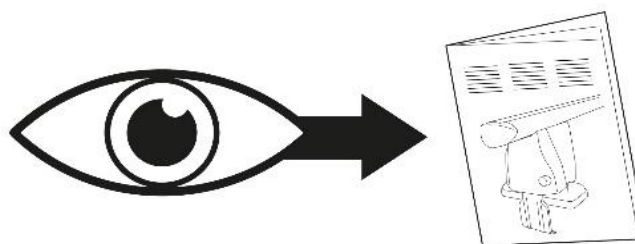
OR



MANUFACTURER	MODEL CAR	DOORS	MODEL YEAR	A1 cm	A2 cm	A1 in	A2 in
SEAT	Ateca	5	16>	18	49	7,1	19,3
SUBARU	WRX STI	4	17>	27	41	10,6	16,1

X = predisposizione originale /original arrangement

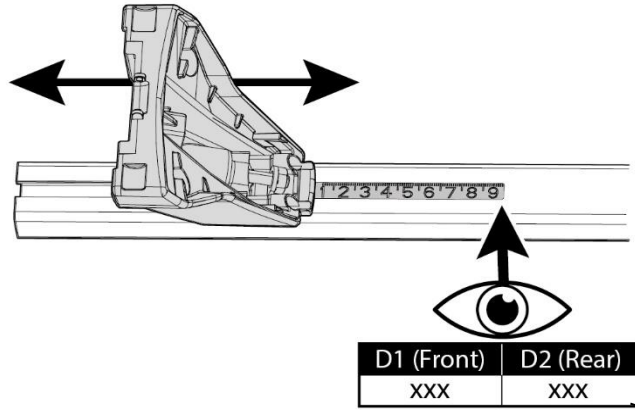
5



MANUAL DELTA

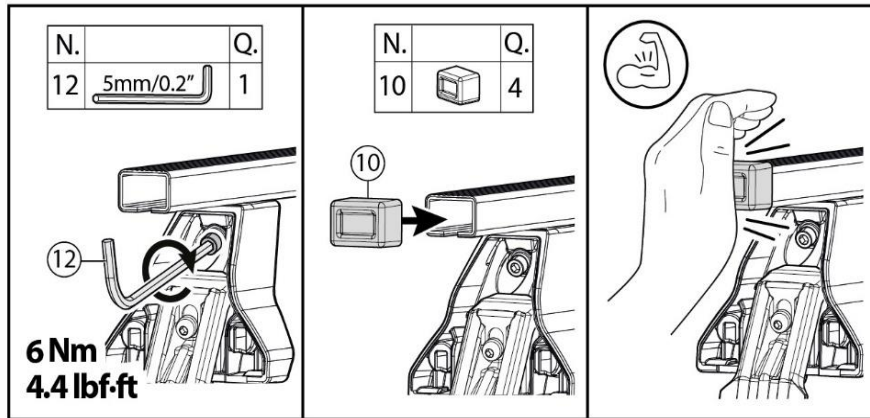
FIXING KIT OMEGA

2

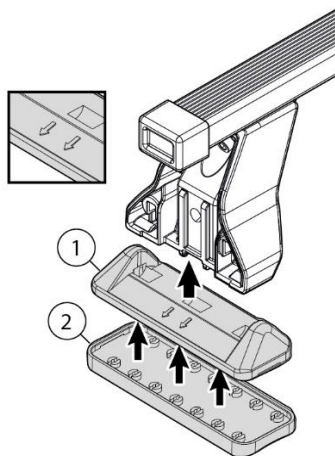


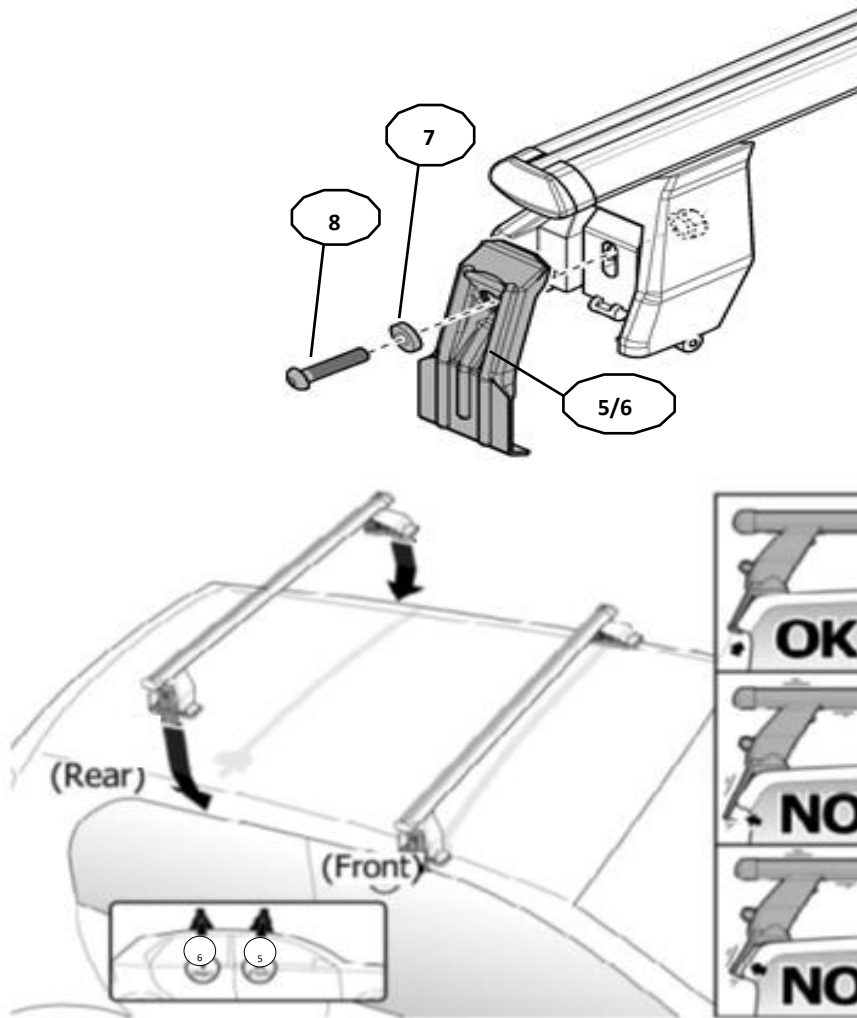
MANUFACTURER	MODEL CAR	DOORS	MODEL YEAR	D1	D2
SEAT	Ateca	5	16>	9,0	7,5
SUBARU	WRX STI	4	17>	7,2	7,2

3

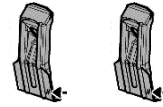


4

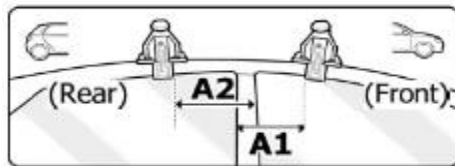




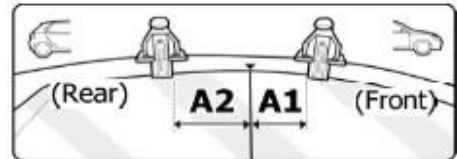
Front	Rear
5	6



50R	3R
2X	2X

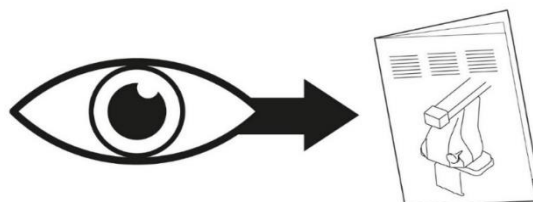


OR



MANUFACTURER	MODEL CAR	DOORS	MODEL YEAR	A1	A2	A1	A2
				cm	cm	in	in
SEAT	Ateca	5	16>	18	49	7,1	19,3
SUBARU	WRX STI	4	17>	27	41	10,6	16,1

X = predisposizione originale /original arrangement



MANUAL OMEGA

NOTE:
