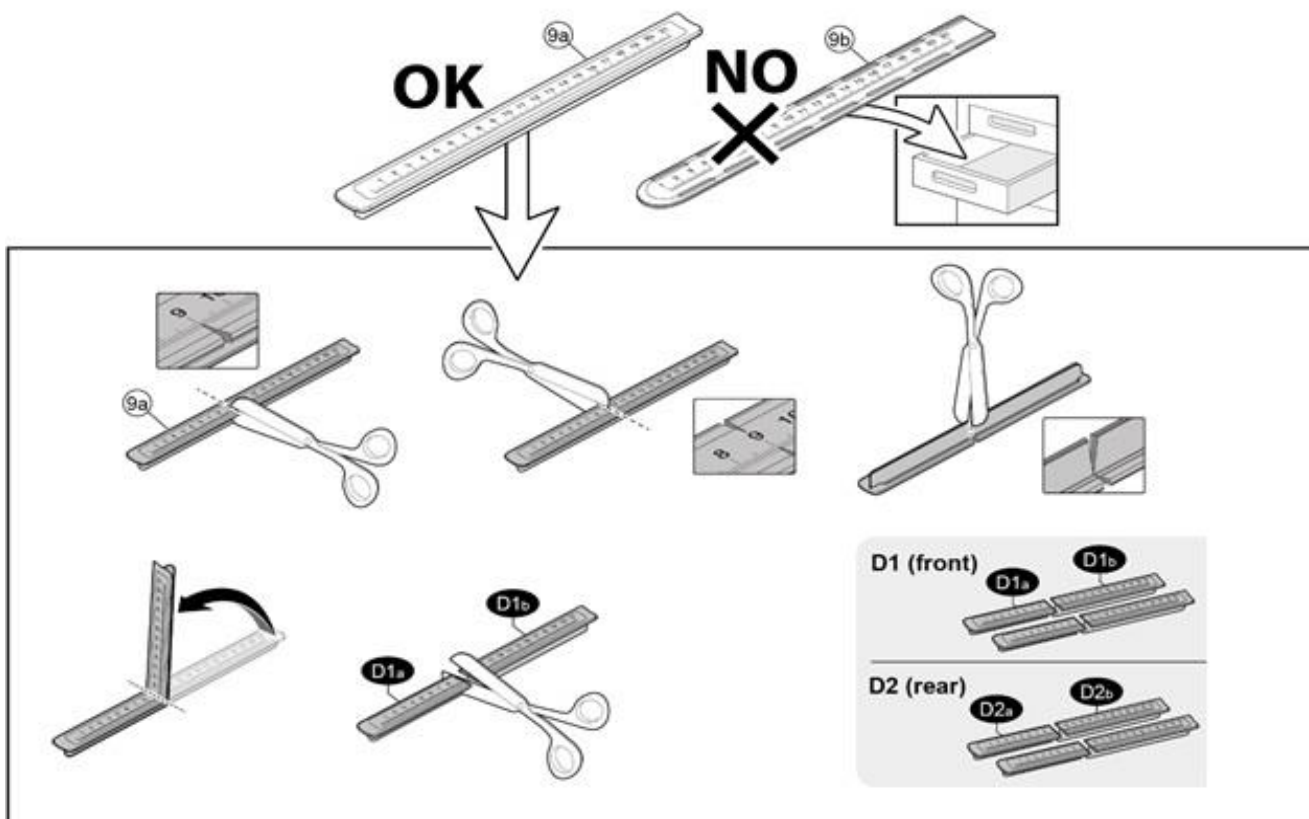


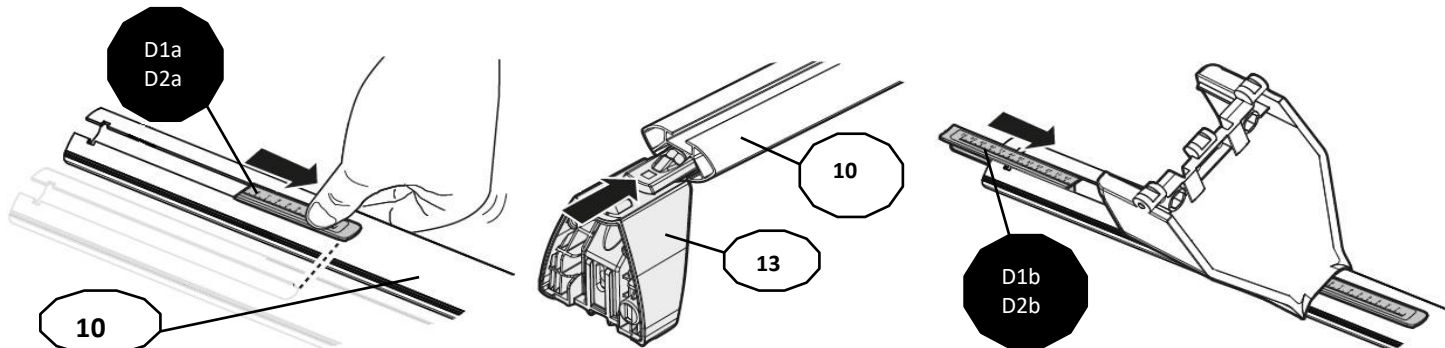
FIXING KIT DELTA

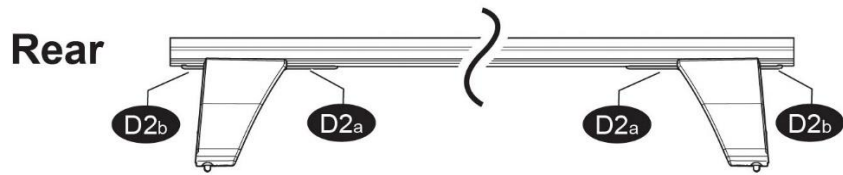
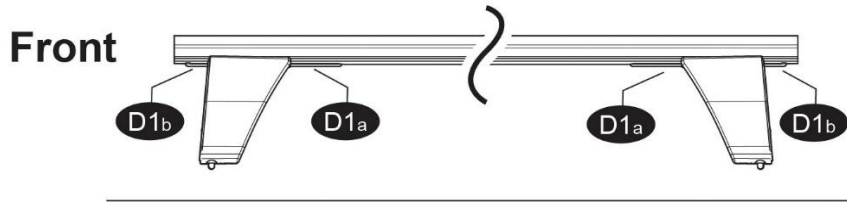
1



MANUFACTURER	MODEL CAR	DOORS	MODEL YEAR	D1	D2
VOLKSWAGEN	Golf IV (1J)	3	97>04	10,0	10,9

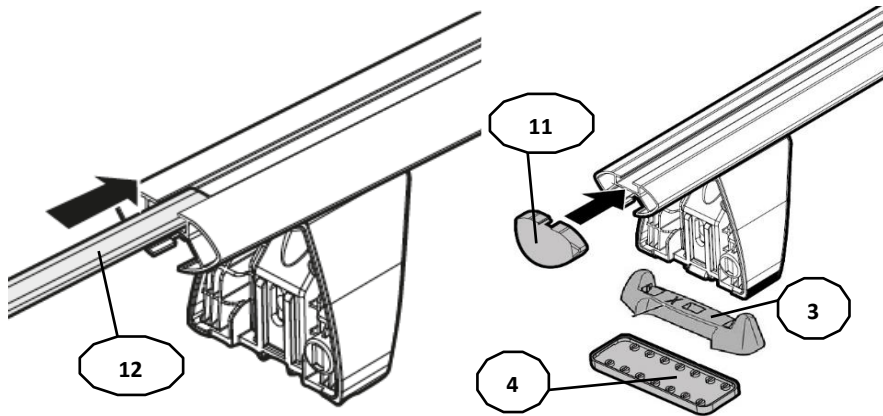
2





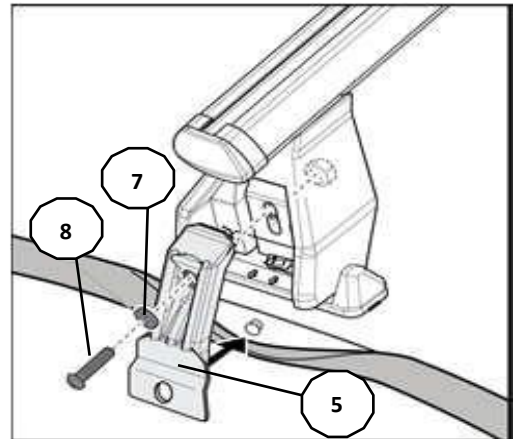
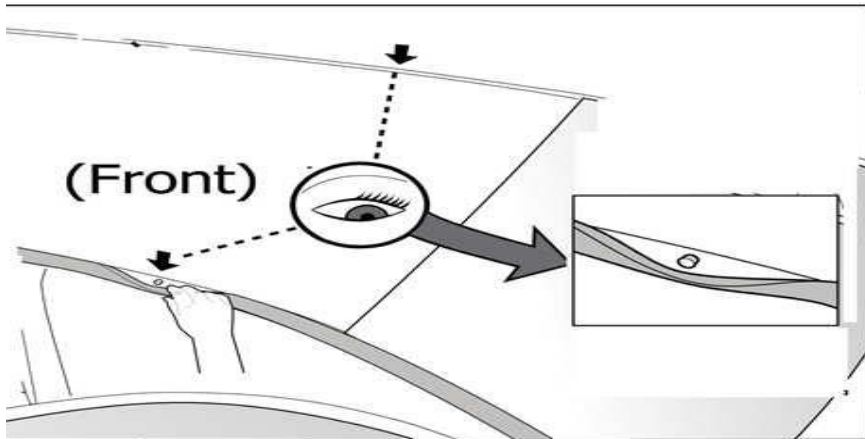
3

x4



4

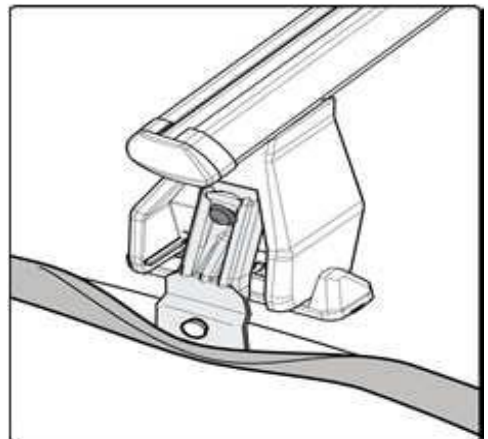
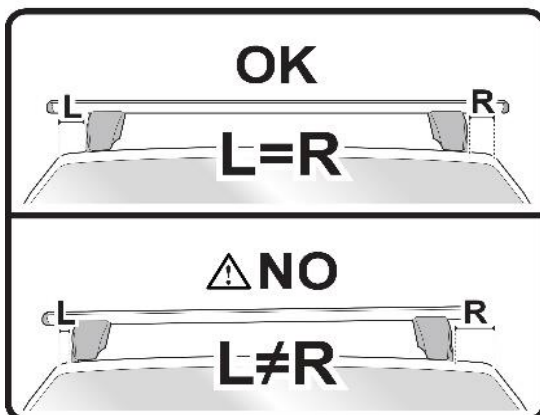
FRONT

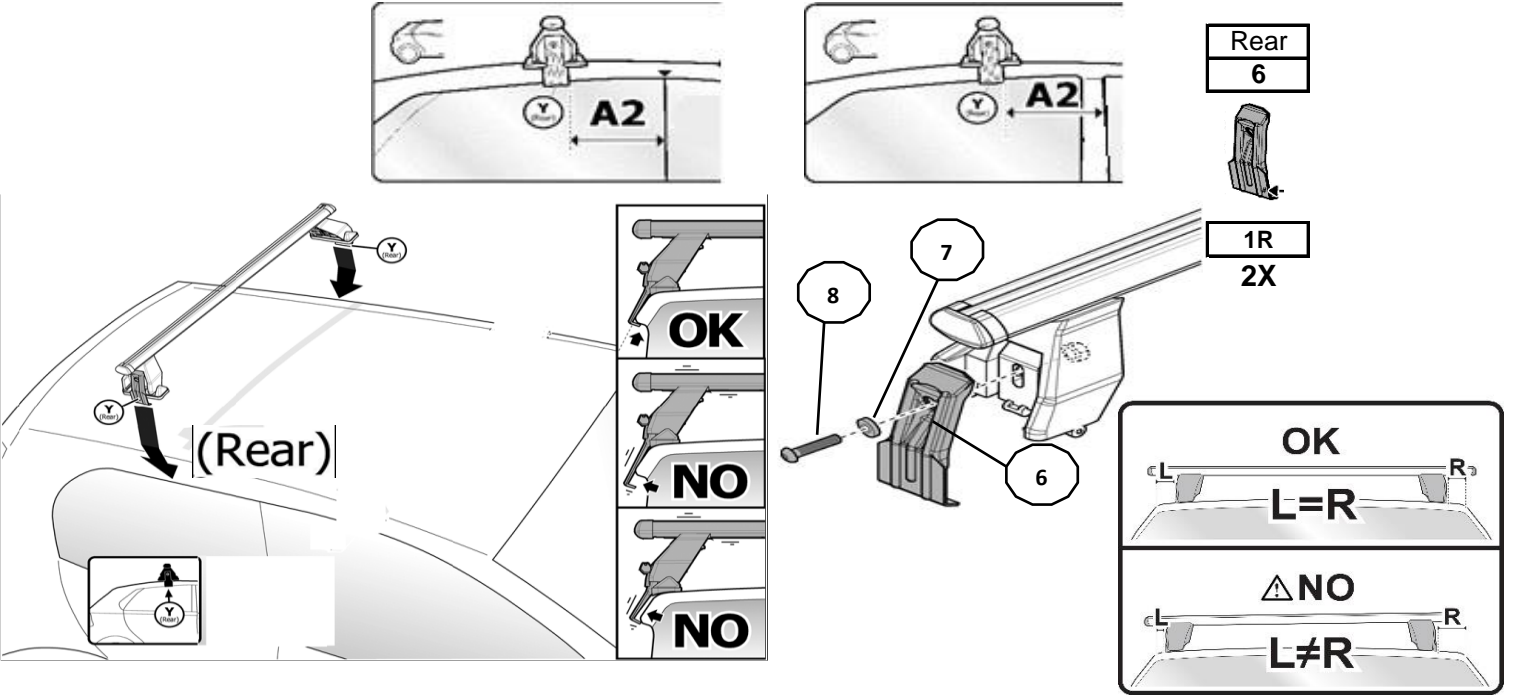


Front
5



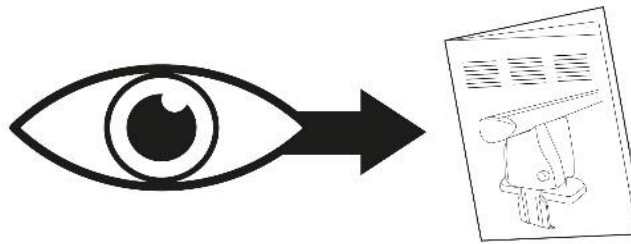
35
2X





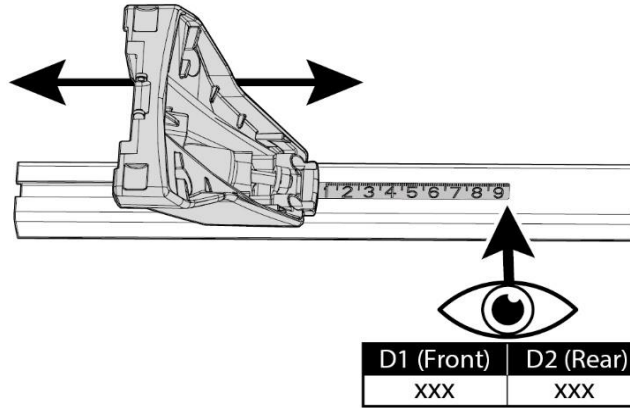
MANUFACTURER	MODEL CAR	DOORS	MODEL YEAR	A1	A2	A1	A2
				cm	cm	in	in
VOLKSWAGEN	Golf IV (1J)	3	97>04		X		X

X = predisposizione originale /original arrangement



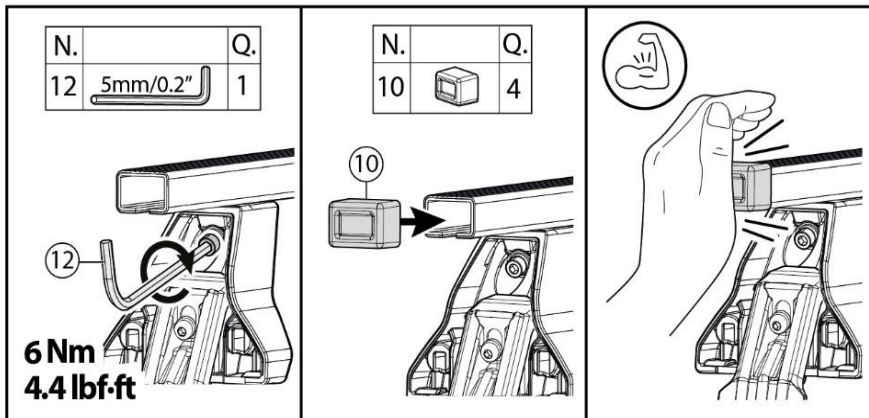
MANUAL DELTA

FIXING KIT OMEGA

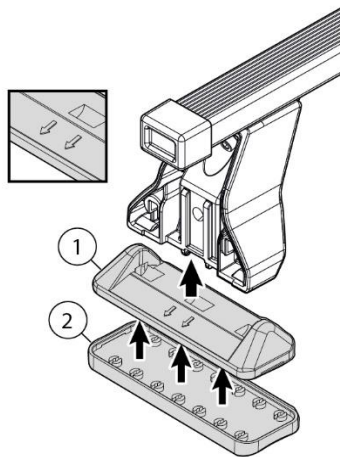


MANUFACTURER	MODEL CAR	DOORS	MODEL YEAR	D1	D2
VOLKSWAGEN	Golf IV (1J)	3	97>04	10,0	10,9

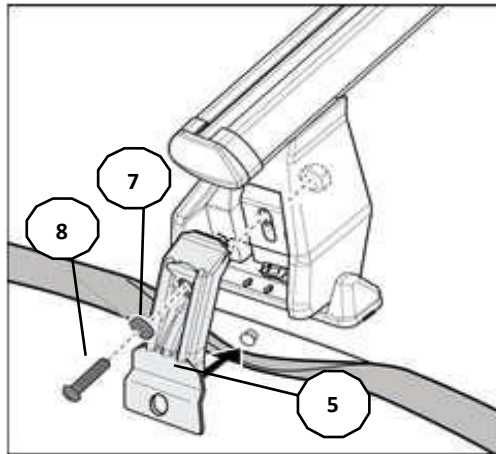
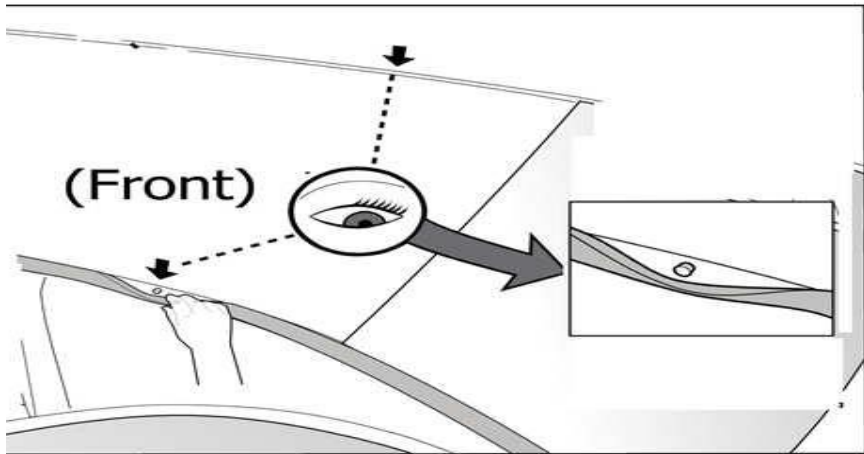
3



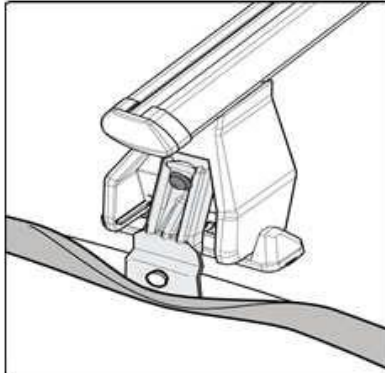
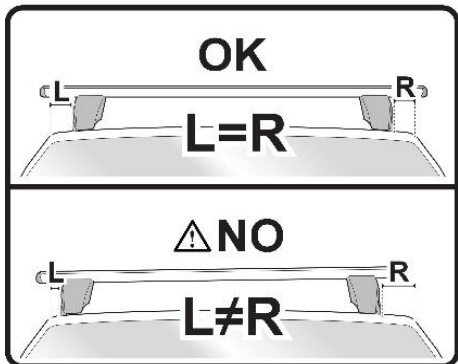
4



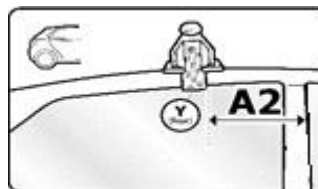
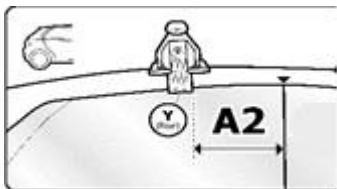
FRONT



Front
5
35
2X



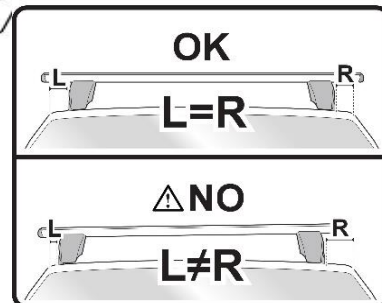
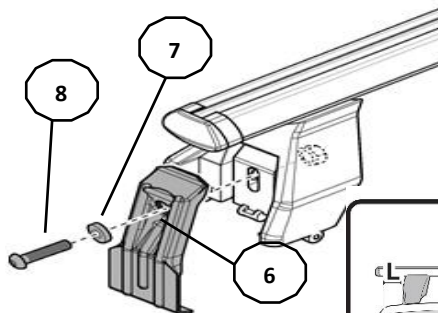
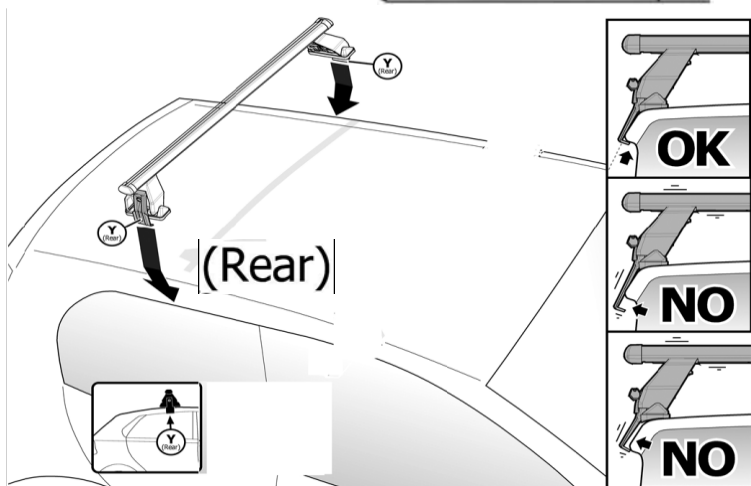
REAR



Rear
6

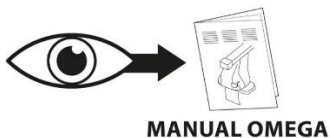


1R
2X



MANUFACTURER	MODEL CAR	DOORS	MODEL YEAR	A1	A2	A1	A2
				cm	cm	in	in
VOLKSWAGEN	Golf IV (1J)	3	97>04		X		X

X = predisposizione originale /original arrangement



NOTE:

.....

.....

.....