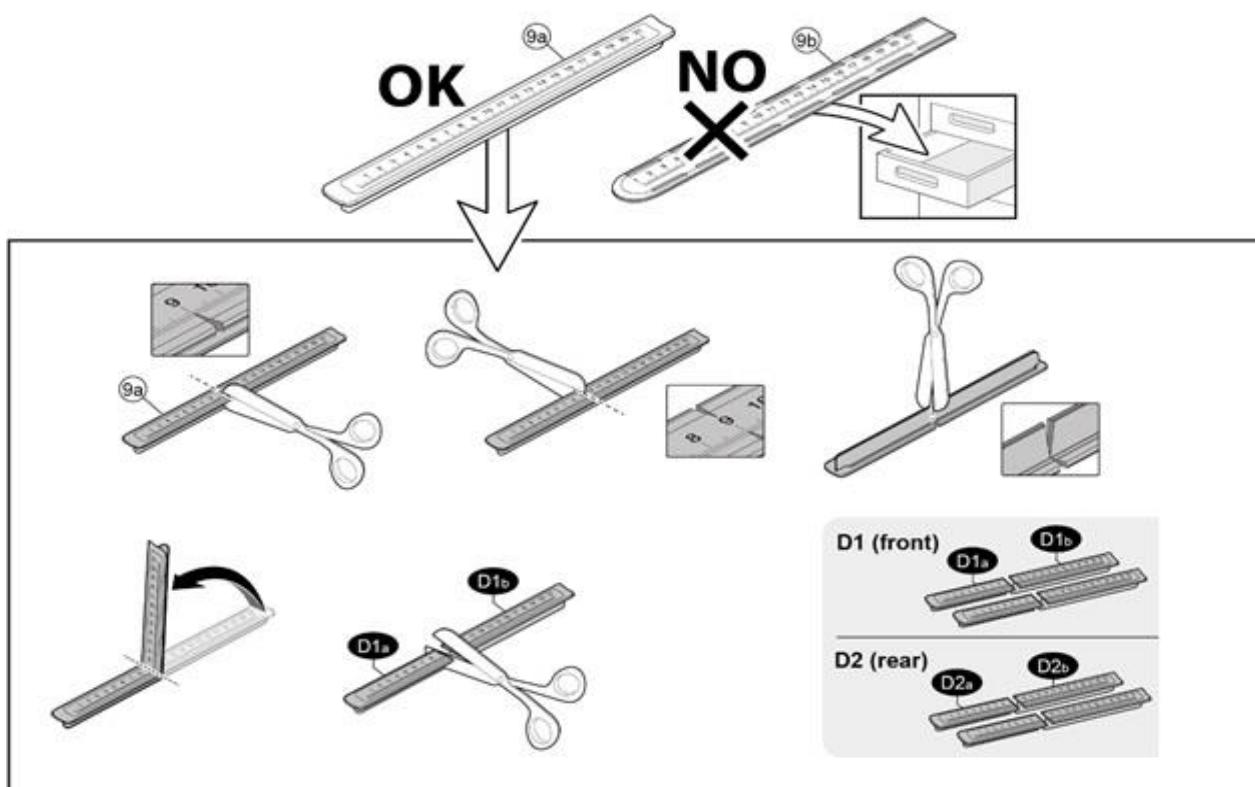


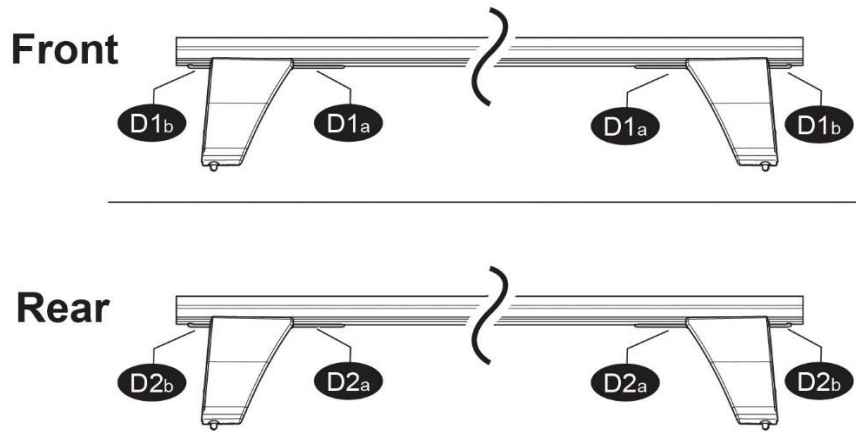
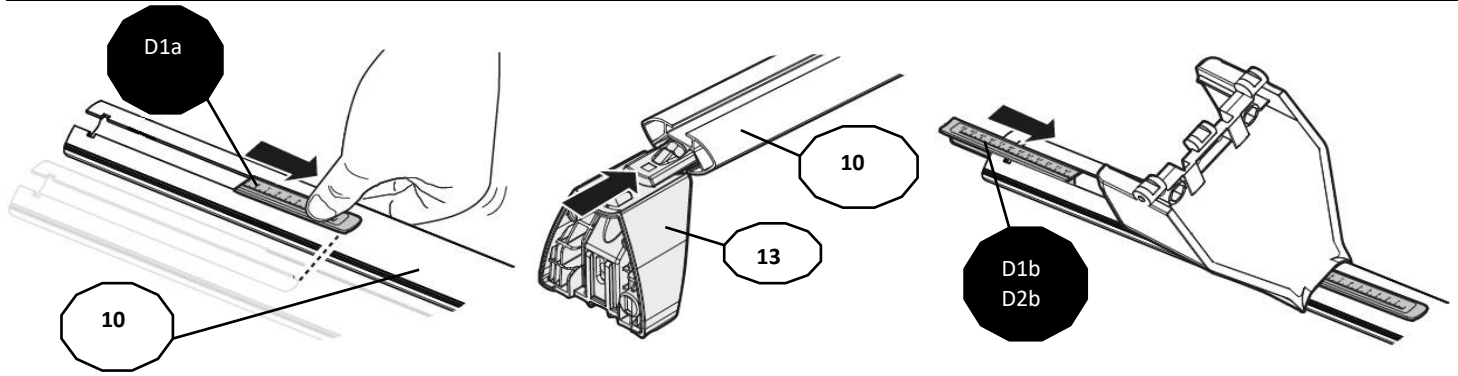
FIXING KIT DELTA

1



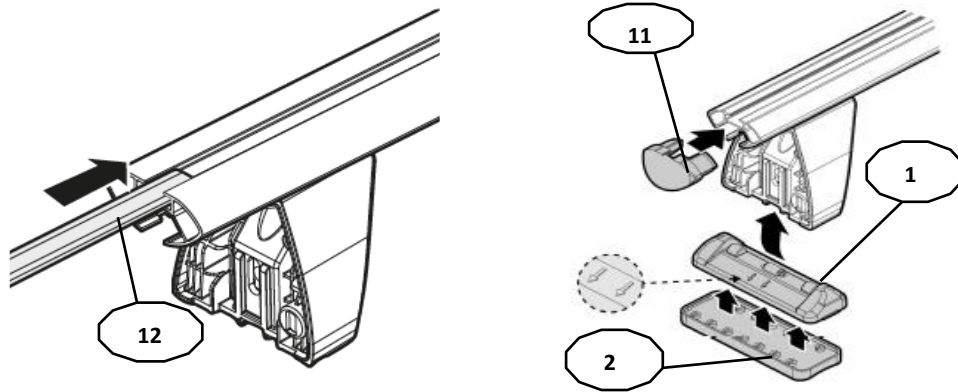
MANUFACTURER	MODEL CAR	DOORS	MODEL YEAR	D1	D2
FIAT	500/500e/500EV/500 Hybrid (312/332)	3	07>	11,0	8,7
FIAT	Fullback	4	15>	7,5	6,5
HONDA	CR-V III	5	07>12	9,2	7,4
LANCIA	Ypsilon II (Type 843)	3	04>13	11,3	9,5
MITSUBISHI	L200 / Triton V	4	15>	7,5	6,5
RAM	1200	4	16>	7,5	6,5

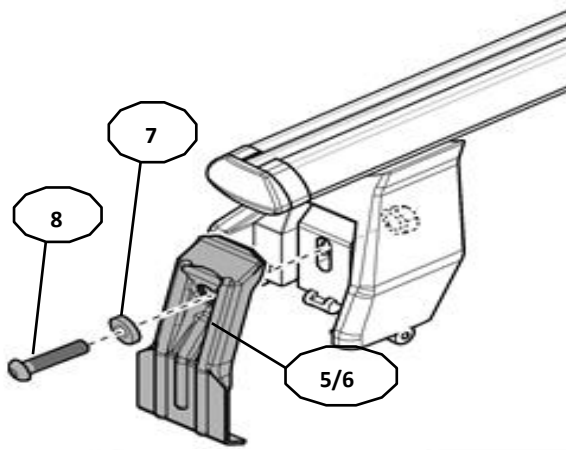
2



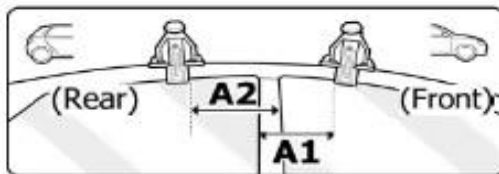
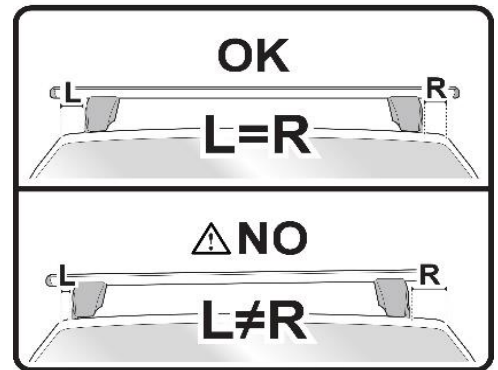
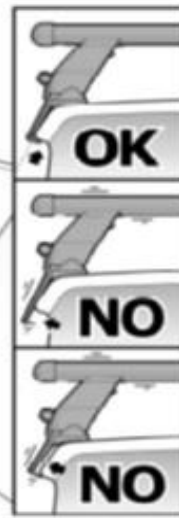
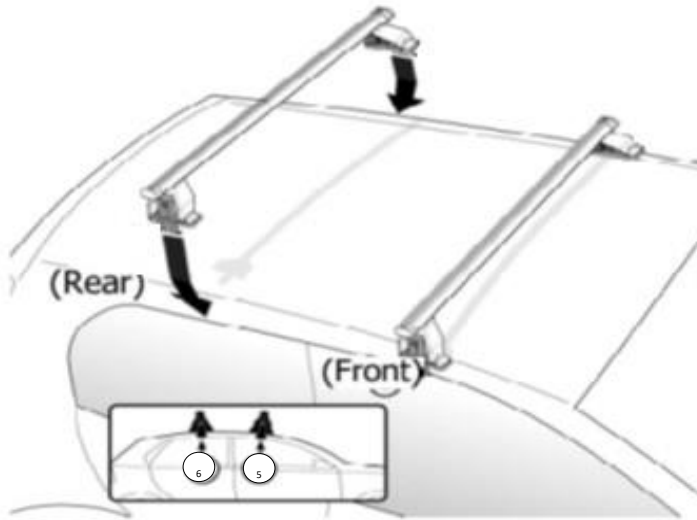
3

x4

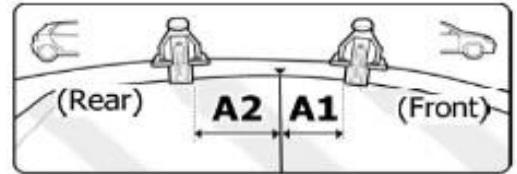




Front 5	Rear 6
13R 2X	18R 2X

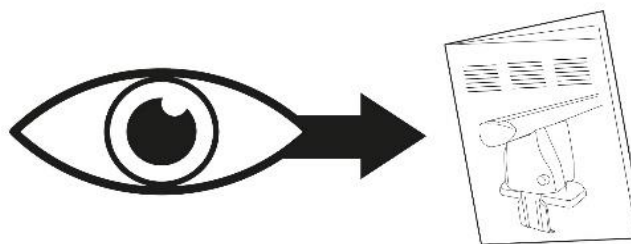


OR



MANUFACTURER	MODEL CAR	DOORS	MODEL YEAR	A1	A2	A1	A2
				cm	cm	in	in
FIAT	500/500e/500EV/500 Hybrid (312/332)	3	07>	51	12	20,1	4,7
FIAT	Fullback	4	15>	20	50	7,9	19,7
HONDA	CR-V III	5	07>12	14	45	5,5	17,7
LANCIA	Ypsilon II (Type 843)	3	04>13	X	X	X	X
MITSUBISHI	L200 / Triton V	4	15>	20	50	7,9	19,7
RAM	1200	4	16>	20	50	7,9	19,7

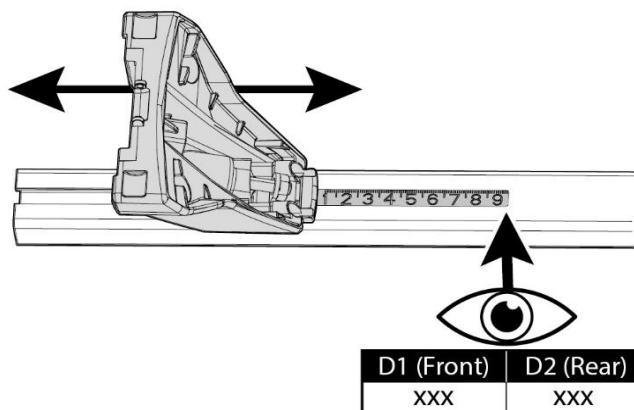
X = predisposizione originale /original arrangement



MANUAL DELTA

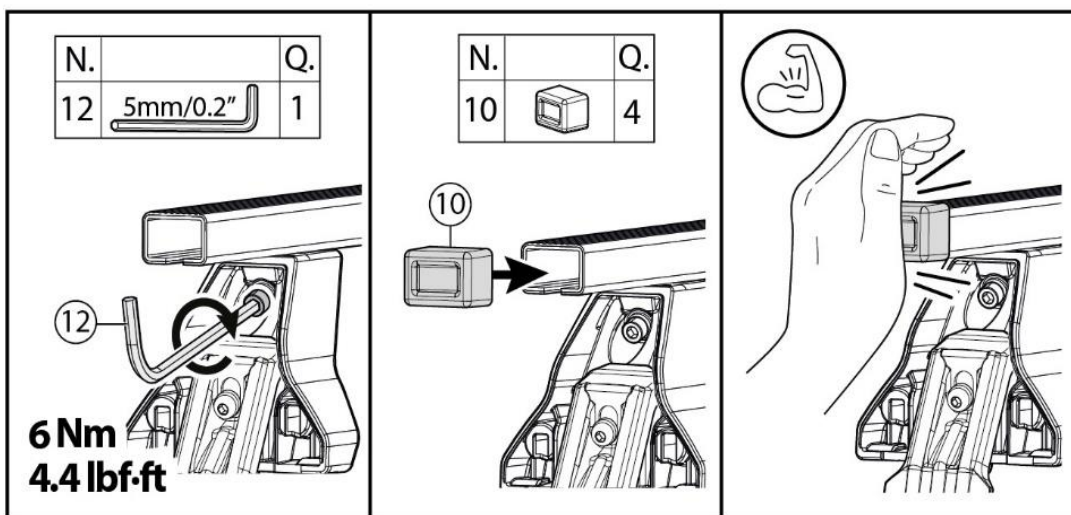
FIXING KIT OMEGA

2

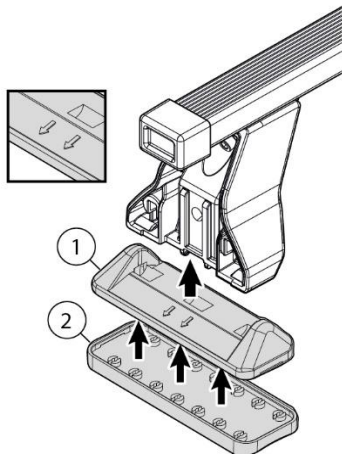


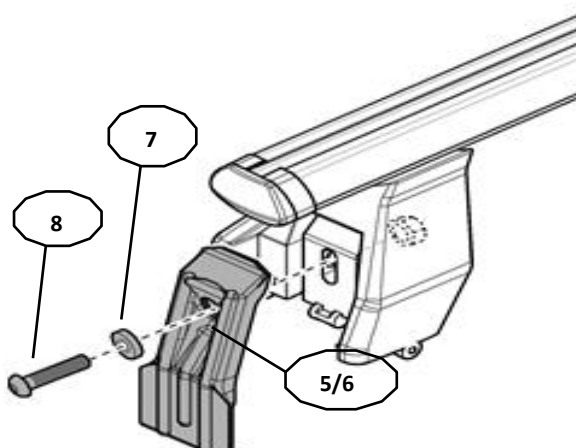
MANUFACTURER	MODEL CAR	DOORS	MODEL YEAR	D1	D2
FIAT	500/500e/500EV/500 Hybrid (312/332)	3	07>	11,0	8,7
FIAT	Fullback	4	15>	7,5	6,5
HONDA	CR-V III	5	07>12	9,2	7,4
LANCIA	Ypsilon II (Type 843)	3	04>13	11,3	9,5
MITSUBISHI	L200 / Triton V	4	15>	7,5	6,5
RAM	1200	4	16>	7,5	6,5

3

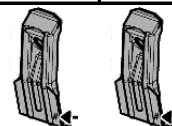


4

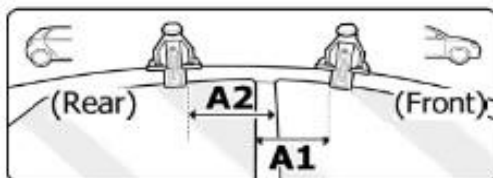
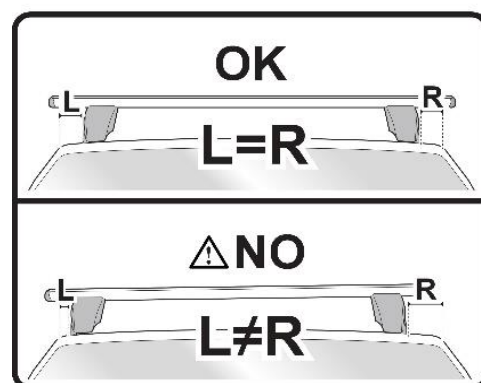
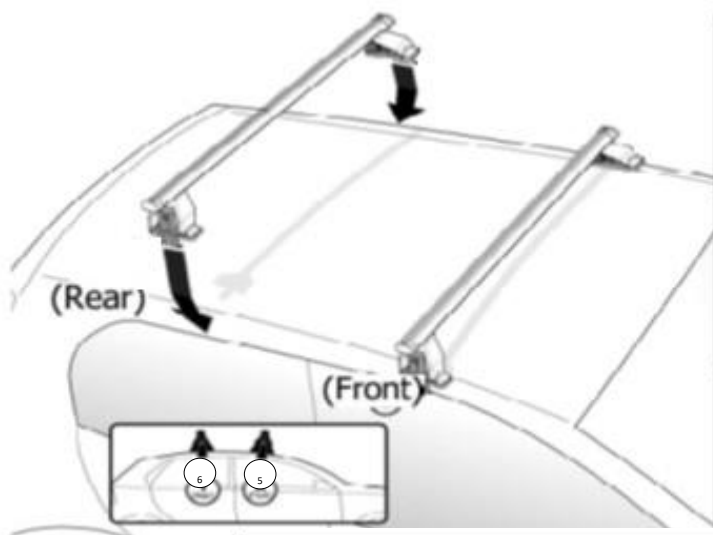




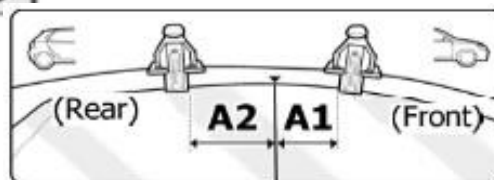
Front	Rear
5	6



13R	18R
2X	2X

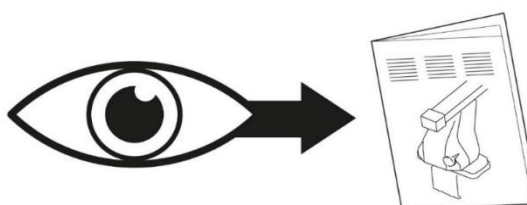


OR



MANUFACTURER	MODEL CAR	DOORS	MODEL YEAR	A1	A2	A1	A2
				cm	cm	in	in
FIAT	500/500e/500EV/500 Hybrid (312/332)	3	07>	51	12	20,1	4,7
FIAT	Fullback	4	15>	20	50	7,9	19,7
HONDA	CR-V III	5	07>12	14	45	5,5	17,7
LANCIA	Ypsilon II (Type 843)	3	04>13	X	X	X	X
MITSUBISHI	L200 / Triton V	4	15>	20	50	7,9	19,7
RAM	1200	4	16>	20	50	7,9	19,7

X = predisposizione originale /original arrangement



MANUAL OMEGA

NOTE:
